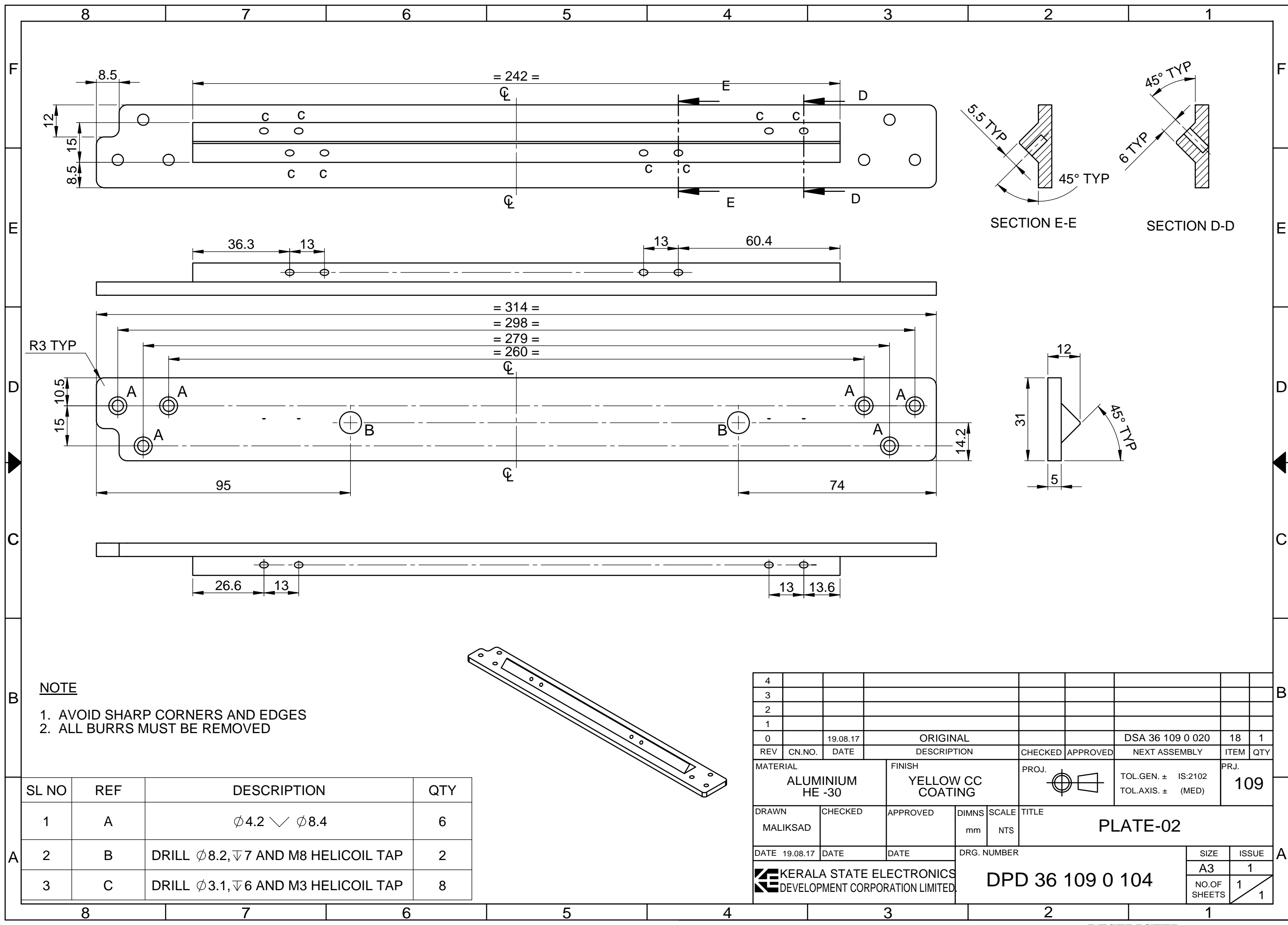


NOTE
 1. AVOID SHARP CORNERS AND EDGES
 2. ALL BURRS MUST BE REMOVED

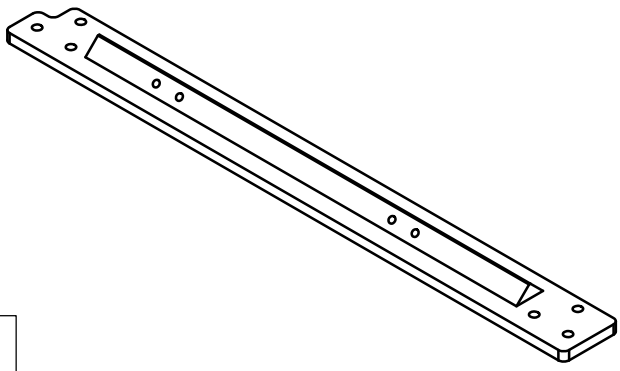
SL NO	REF	DESCRIPTION	QTY
1	A	∅4.2 √ ∅8.4	6
2	B	DRILL ∅3.1, ∇ 6 AND M3 HELICOIL TAP	8

4											
3											
2											
1											
0		19.08.17		ORIGINAL				DSA 36 109 0 020	15	1	
REV	CN.NO.	DATE		DESCRIPTION	CHECKED	APPROVED		NEXT ASSEMBLY	ITEM	QTY	
MATERIAL				ALUMINIUM HE-30	FINISH		YELLOW CC COATING		PROJ.		PRJ.
									TOL.GEN. ± IS:2102		109
							TOL.AXIS. ± (MED)				
DRAWN		CHECKED		APPROVED		DIMNS	SCALE	TITLE			
MALIKSAD						mm	NTS	PLATE-01			
DATE 19.08.17		DATE		DATE		DRG. NUMBER		SIZE		ISSUE	
						DPD 36 109 0 101		A3		1	
								NO.OF SHEETS		1	
										1	

KERALA STATE ELECTRONICS DEVELOPMENT CORPORATION LIMITED.

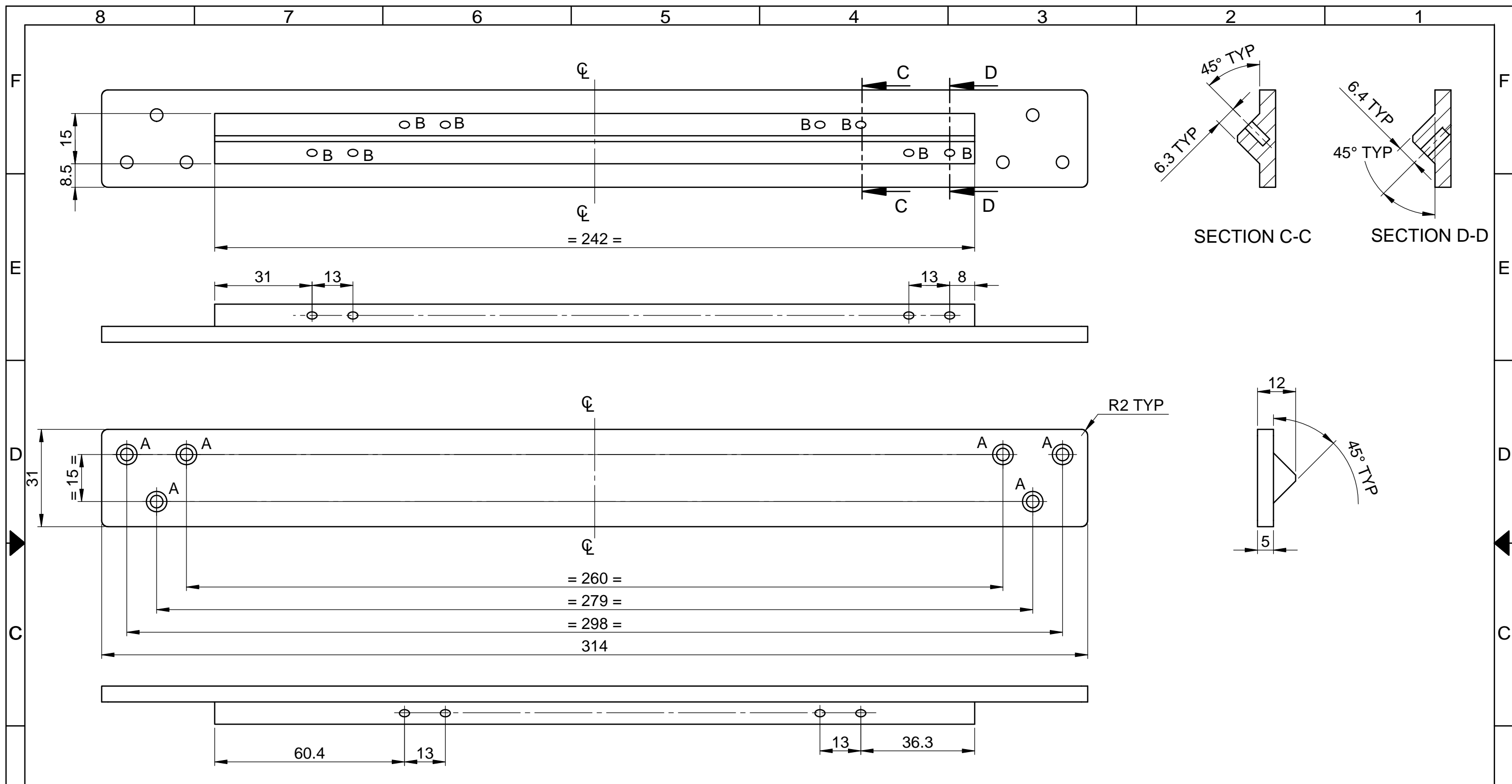


- NOTE**
1. AVOID SHARP CORNERS AND EDGES
 2. ALL BURRS MUST BE REMOVED



SL NO	REF	DESCRIPTION	QTY
1	A	$\phi 4.2 \checkmark \phi 8.4$	6
2	B	DRILL $\phi 8.2, \nabla 7$ AND M8 HELICOIL TAP	2
3	C	DRILL $\phi 3.1, \nabla 6$ AND M3 HELICOIL TAP	8

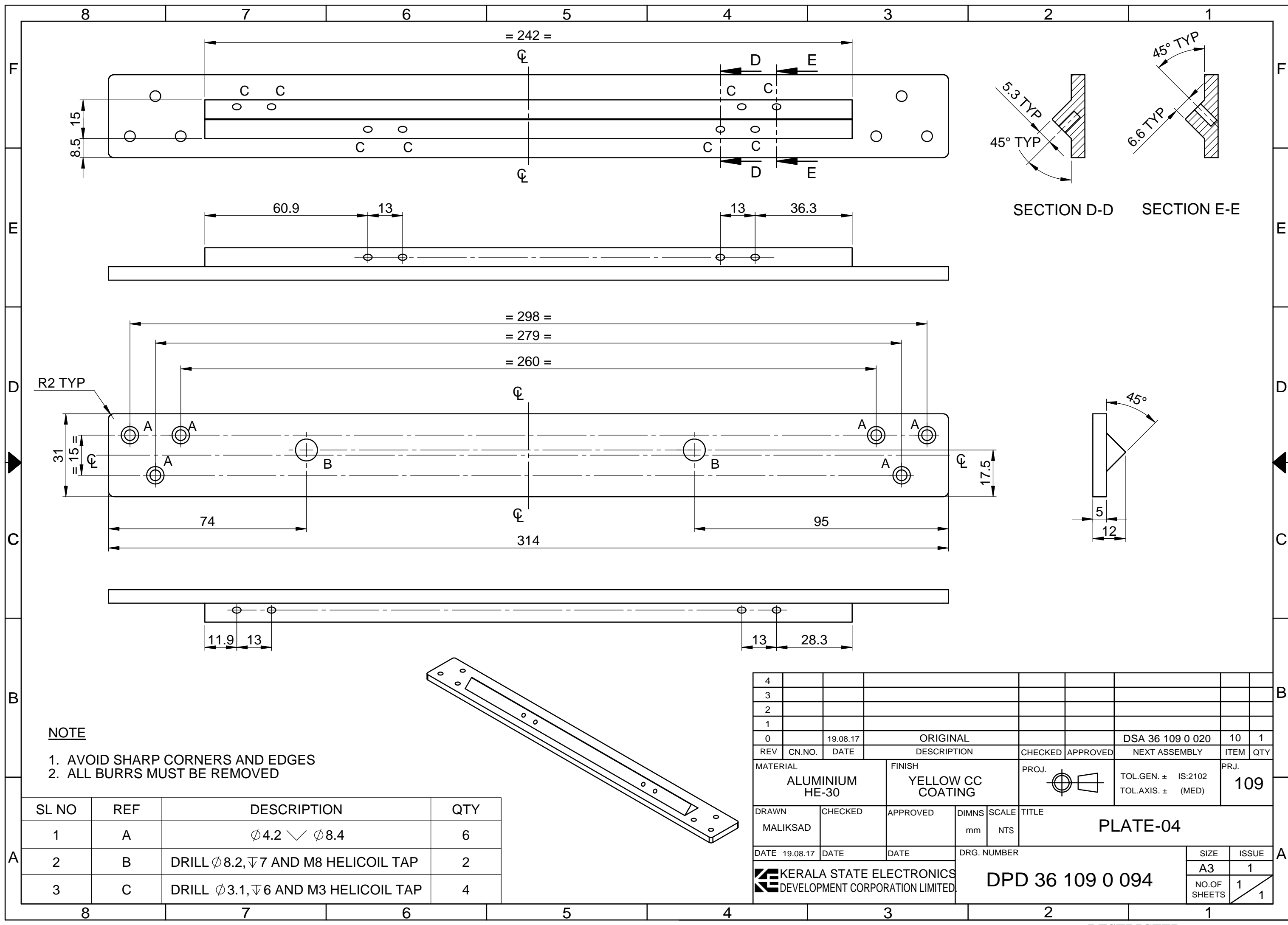
4											
3											
2											
1											
0		19.08.17	ORIGINAL					DSA 36 109 0 020	18	1	
REV	CN.NO.	DATE	DESCRIPTION	CHECKED	APPROVED	NEXT ASSEMBLY	ITEM	QTY			
MATERIAL			FINISH		PROJ.		TOL.GEN. \pm IS:2102		PRJ.		
ALUMINIUM HE -30			YELLOW CC COATING				TOL.AXIS. \pm (MED)		109		
DRAWN		CHECKED		APPROVED		DIMNS		SCALE		TITLE	
MALIKSAD						mm		NTS		PLATE-02	
DATE 19.08.17		DATE		DATE		DRG. NUMBER		SIZE		ISSUE	
						KERALA STATE ELECTRONICS DEVELOPMENT CORPORATION LIMITED.		A3		1	
						DPD 36 109 0 104		NO.OF SHEETS		1	
								1		1	



NOTE
 1. AVOID SHARP CORNERS AND EDGES
 2. ALL BURRS MUST BE REMOVED

SL NO	REF	DESCRIPTION	QTY
1	A	$\phi 4.2 \checkmark \phi 8.4$	6
2	B	DRILL $\phi 3.1, \nabla 6$ AND M3 HELICOIL TAP	8

4									
3									
2									
1									
0		19.08.17	ORIGINAL			DSA 36 109 0 020	10	1	
REV	CN.NO.	DATE	DESCRIPTION	CHECKED	APPROVED	NEXT ASSEMBLY	ITEM	QTY	
MATERIAL			FINISH		PROJ.	TOL.GEN. \pm	IS:2102	PRJ.	
ALUMINIUM HE-30			YELLOW CC COATING			TOL.AXIS. \pm	(MED)	109	
DRAWN		CHECKED	APPROVED	DIMNS	SCALE	TITLE			
MALIKSAD				mm	NTS	PLATE-03			
DATE 19.08.17		DATE	DATE	DRG. NUMBER		SIZE		ISSUE	
				KERALA STATE ELECTRONICS DEVELOPMENT CORPORATION LIMITED.		A3		1	
				DPD 36 109 0 096		NO.OF SHEETS		1	
						1		1	



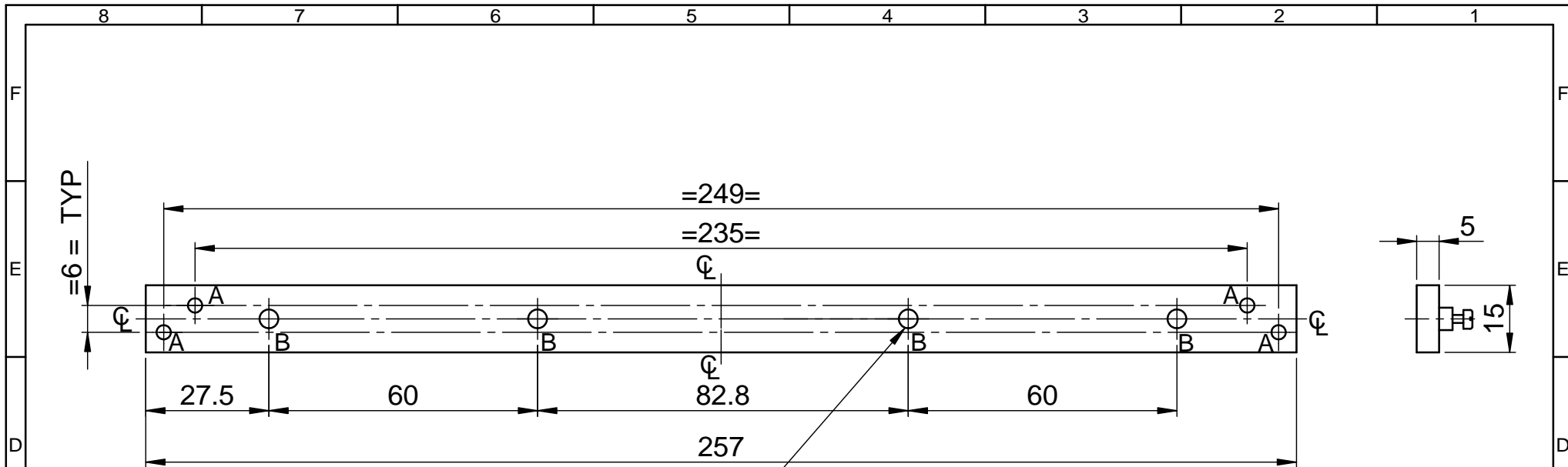
NOTE
 1. AVOID SHARP CORNERS AND EDGES
 2. ALL BURRS MUST BE REMOVED

SL NO	REF	DESCRIPTION	QTY
1	A	$\phi 4.2 \checkmark \phi 8.4$	6
2	B	DRILL $\phi 8.2, \nabla 7$ AND M8 HELICOIL TAP	2
3	C	DRILL $\phi 3.1, \nabla 6$ AND M3 HELICOIL TAP	4

4											
3											
2											
1											
0		19.08.17		ORIGINAL				DSA 36 109 0 020	10	1	
REV	CN.NO.	DATE		DESCRIPTION	CHECKED	APPROVED		NEXT ASSEMBLY	ITEM	QTY	
MATERIAL				ALUMINIUM HE-30	FINISH		YELLOW CC COATING		PRJ.		
DRAWN				MALIKSAD	APPROVED		TITLE		PLATE-04		
DATE				19.08.17	DATE		DATE		DRG. NUMBER		
Kerala State Electronics Development Corporation Limited.				DPD 36 109 0 094				SIZE		ISSUE	
								A3		1	
								NO.OF SHEETS		1	
										1	

RESTRICTED

RESTRICTED



M4 CAPTIVE SCREW WITH BUSH TO BE RIVETED ON THE BOTTOM SIDE OF HOLE 'B'

NOTE

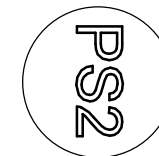
1. AVOID SHARP CORNERS AND EDGES
2. BURRS MUST BE REMOVED

SL NO	REF	DESCRIPTION	QTY
1	A	∅3.2	4
2	B	M4x15 CAPTIVE SCREW WITH BUSH	4

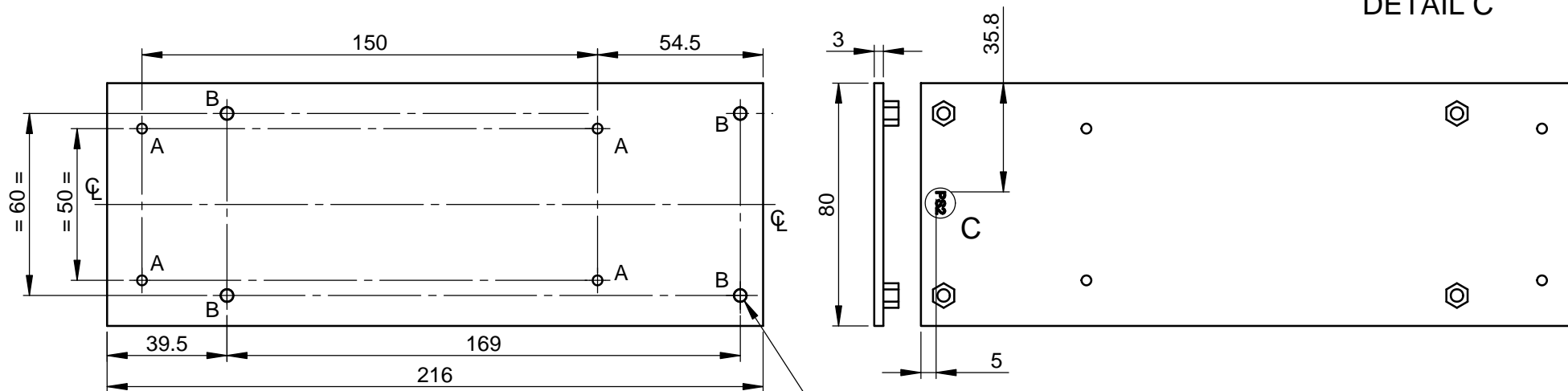
4									
3									
2									
1									
0		11.10.17	ORIGINAL			DSA 36 109 0 021	11	2	
REV	CN.NO.	DATE	DESCRIPTION	CHECKED	APPROVED	NEXT ASSEMBLY	ITEM	QTY	
MATERIAL			FINISH		PROJ.	TOL.GEN. ± IS: 2102		PRJ.	
ALUMINIUM HE-30			YELLOW CC COATING			TOL.AXIS. ± (MED.)		109	
DRAWN		CHECKED	APPROVED	DIMNS	SCALE	TITLE			
MALIKSAD				mm	NTS	PSU PLATE SUPPORT BAR			
DATE	11.10.17	DATE	DATE	DRG. NUMBER		SIZE	ISSUE		
						DPD 36 109 0 051		A4	1
								NO.OF SHEETS	1
								1	1

RESTRICTED

RESTRICTED



DETAIL C



M4 RIVET NUT TO BE RIVETED ON THE TOP SIDE OF THE HOLE 'B'

NOTE:

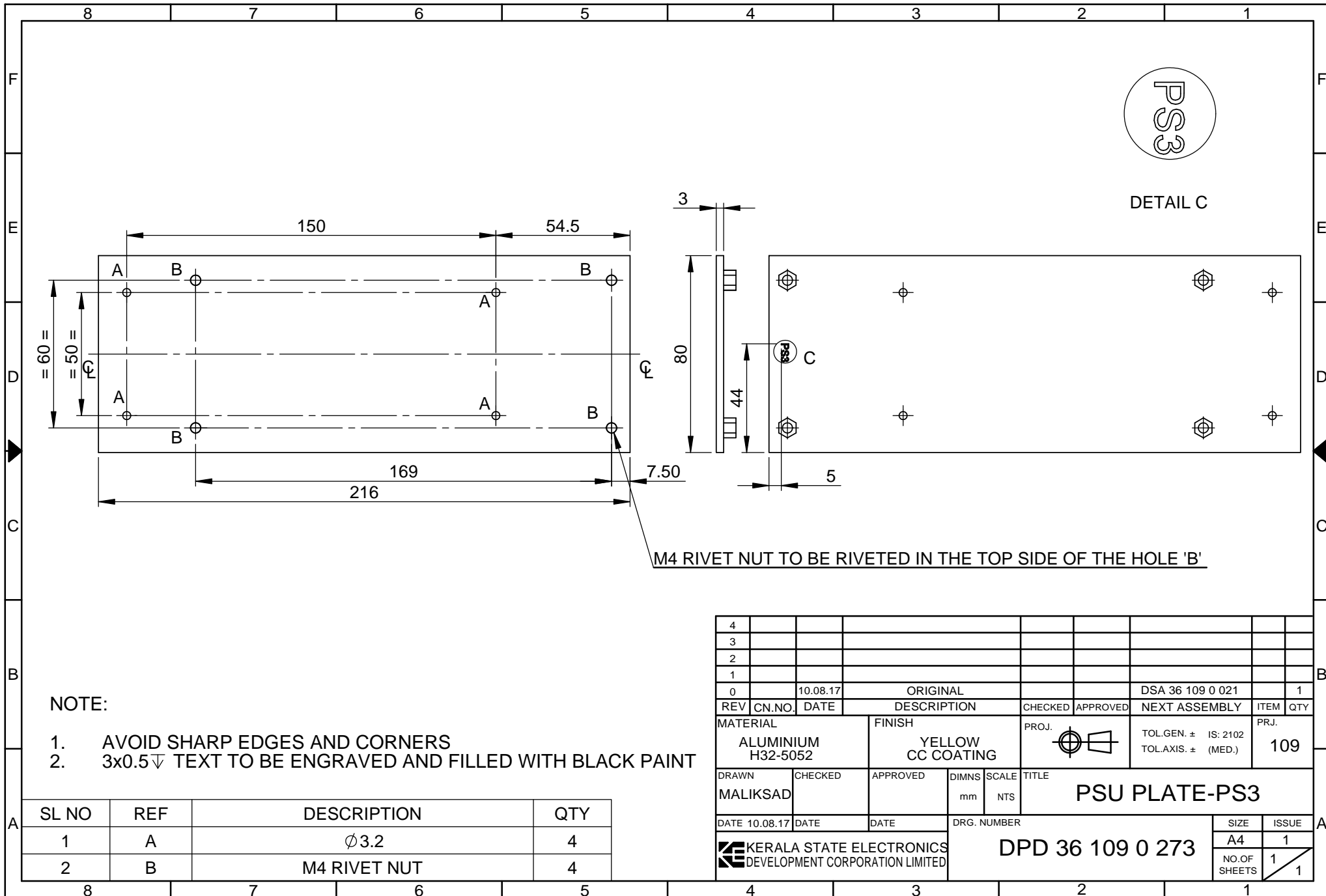
1. AVOID SHARP EDGES AND CORNERS
2. 3x0.5∇ TEXT TO BE ENGRAVED AND FILLED WITH BLACK PAINT

4									
3									
2									
1									
0		18.09.17	ORIGINAL			DSA 36 109 0 021	9	2	
REV	CN.NO.	DATE	DESCRIPTION	CHECKED	APPROVED	NEXT ASSEMBLY	ITEM	QTY	
MATERIAL			ALUMINIUM H32-5052	FINISH YELLOW CC COATING		PROJ. 	TOL.GEN. ± IS: 2102 TOL.AXIS. ± (MED.)		PRJ. 109
DRAWN	CHECKED	APPROVED	DIMNS	SCALE	TITLE				
MALIKSAD			mm	NTS	PSU PLATE				
DATE 18.09.17	DATE	DATE	DRG. NUMBER			SIZE	ISSUE		
KERALA STATE ELECTRONICS DEVELOPMENT CORPORATION LIMITED						DPD 36 109 0 053		A4	1
						NO.OF SHEETS	1	1	

SL NO	REF	DESCRIPTION	QTY
1	A	∅3.2	4
2	B	M4 RIVET NUT	4

RESTRICTED

RESTRICTED

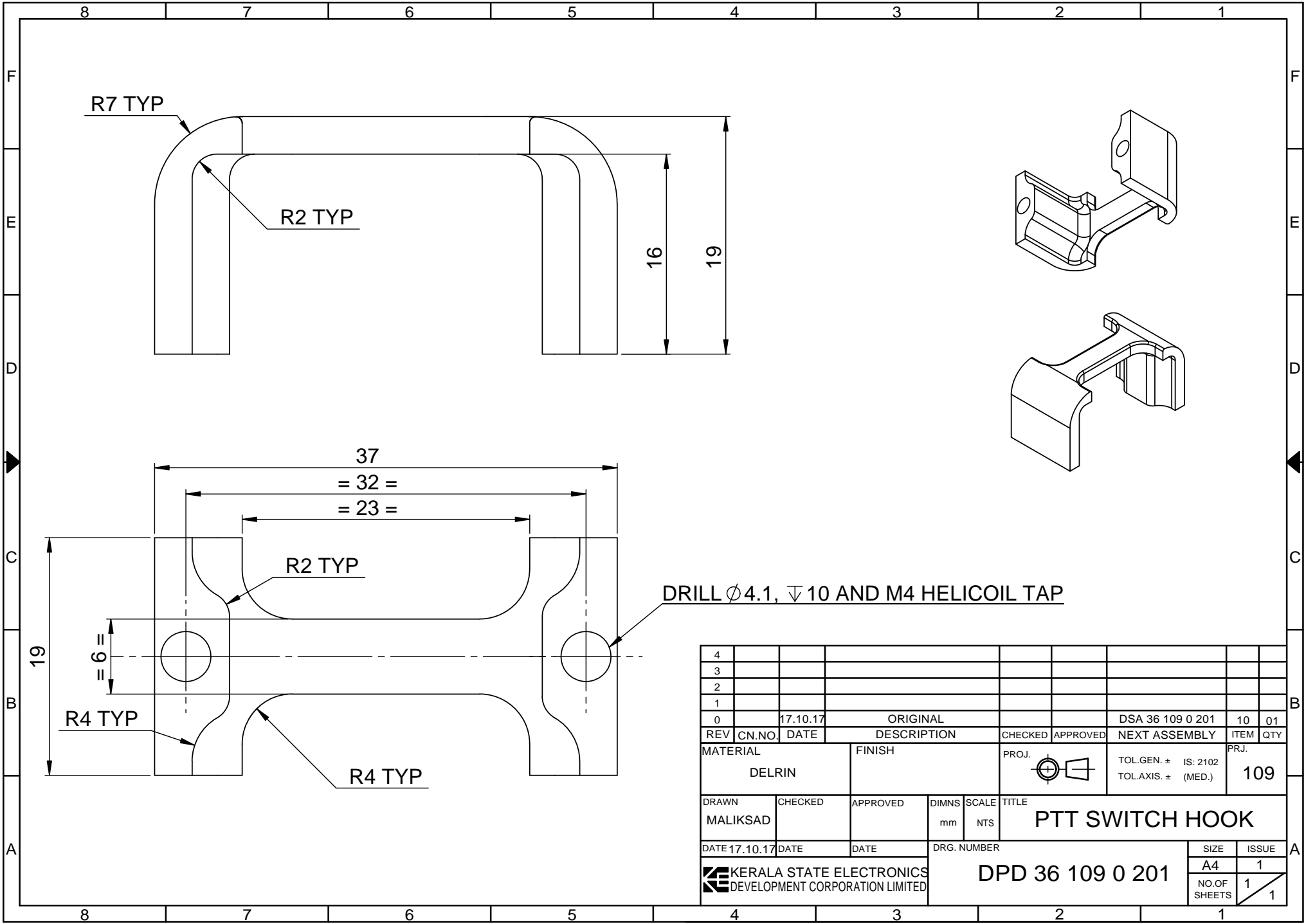


NOTE:

1. AVOID SHARP EDGES AND CORNERS
2. 3x0.5∇ TEXT TO BE ENGRAVED AND FILLED WITH BLACK PAINT

4										
3										
2										
1										
0		10.08.17		ORIGINAL				DSA 36 109 0 021	1	
REV	CN.NO.	DATE	DESCRIPTION			CHECKED	APPROVED	NEXT ASSEMBLY	ITEM	QTY
MATERIAL		FINISH		PROJ.	TOL.GEN. ± IS: 2102		PRJ.			
ALUMINIUM H32-5052		YELLOW CC COATING			TOL.AXIS. ± (MED.)		109			
DRAWN	CHECKED	APPROVED	DIMNS	SCALE	TITLE					
MALIKSAD			mm	NTS	PSU PLATE-PS3					
DATE	10.08.17	DATE	DATE	DRG. NUMBER				SIZE	ISSUE	
				DPD 36 109 0 273				A4	1	
							NO.OF SHEETS		1	
							1		1	

SL NO	REF	DESCRIPTION	QTY
1	A	∅3.2	4
2	B	M4 RIVET NUT	4



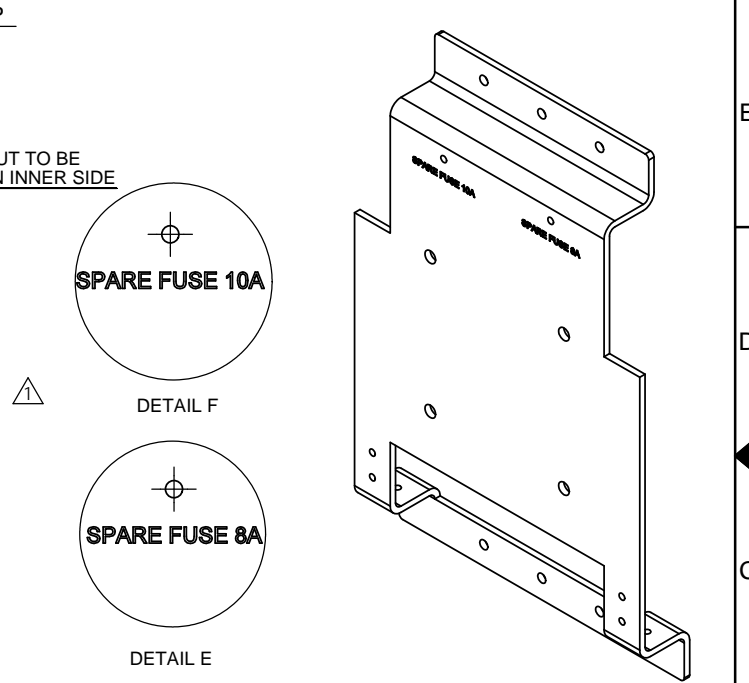
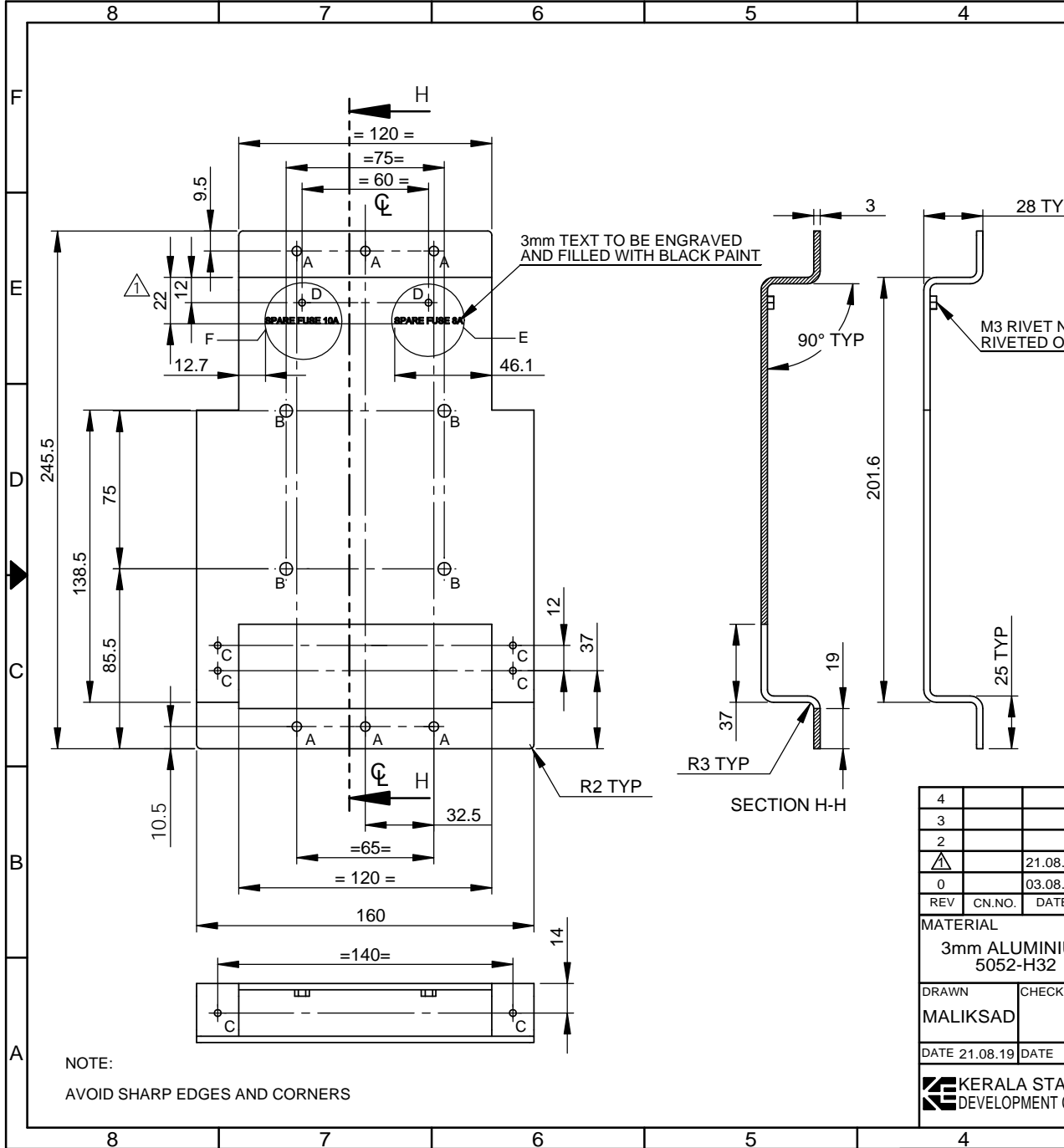
DRILL $\phi 4.1$, $\nabla 10$ AND M4 HELICOIL TAP

4													
3													
2													
1													
0		17.10.17		ORIGINAL				DSA 36 109 0 201	10	01			
REV	CN.NO.	DATE		DESCRIPTION	CHECKED	APPROVED		NEXT ASSEMBLY	ITEM	QTY			
MATERIAL				FINISH		PROJ.		TOL.GEN. \pm IS: 2102		PRJ.			
DELTRIN								TOL.AXIS. \pm (MED.)		109			
DRAWN	CHECKED	APPROVED	DIMNS	SCALE	TITLE								
MALIKSAD			mm	NTS	PTT SWITCH HOOK								
DATE	17.10.17	DATE	DATE	DRG. NUMBER		SIZE		ISSUE					
				DPD 36 109 0 201				A4		1			
								NO.OF SHEETS		1		1	

RESTRICTED

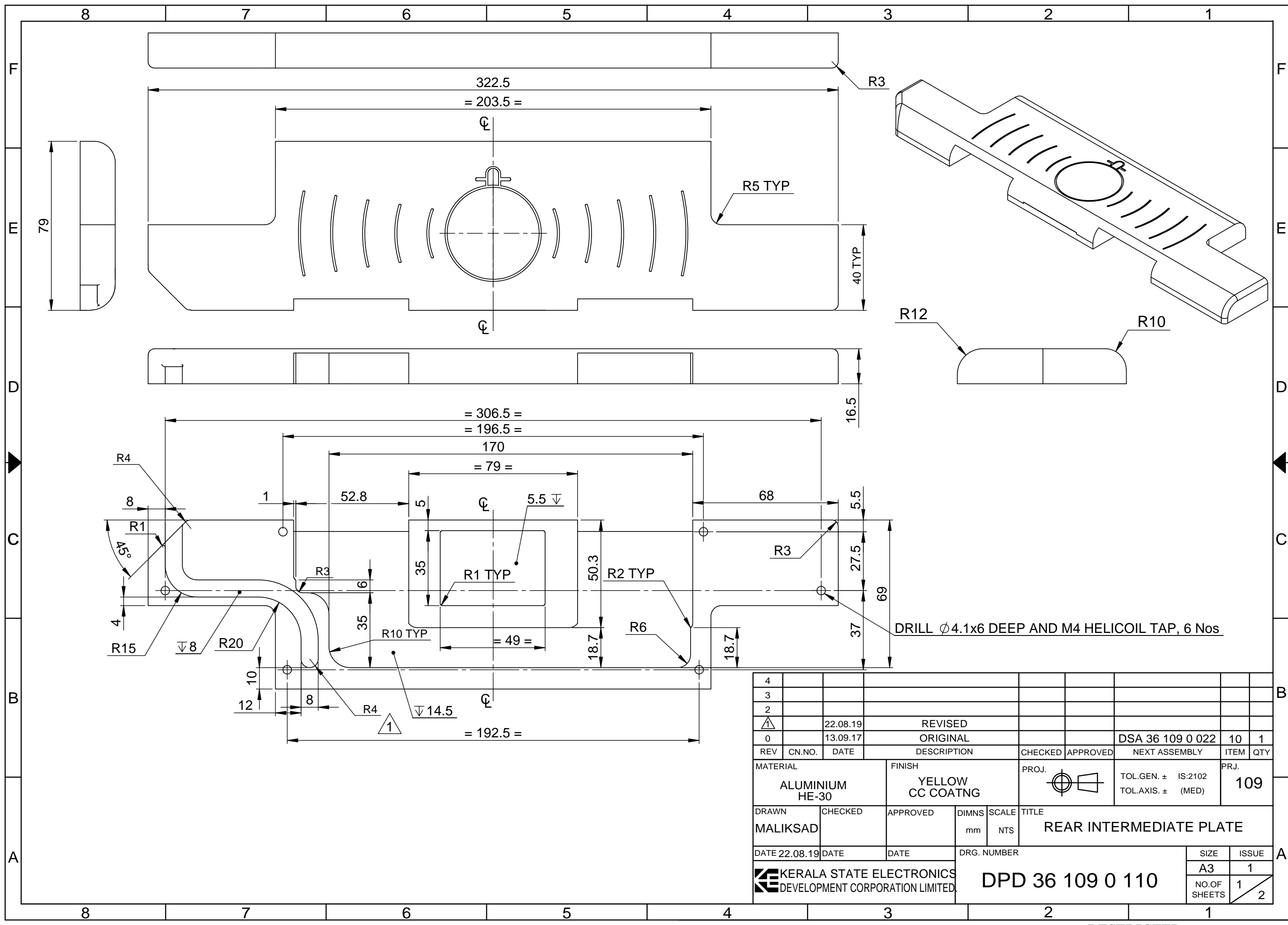
RESTRICTED

SL NO	REF	DESCRIPTION	QTY
1	A	∅4.5	6
2	B	∅6.2	4
3	C	∅3.2	6
4	D	M3 RIVET NUT	2

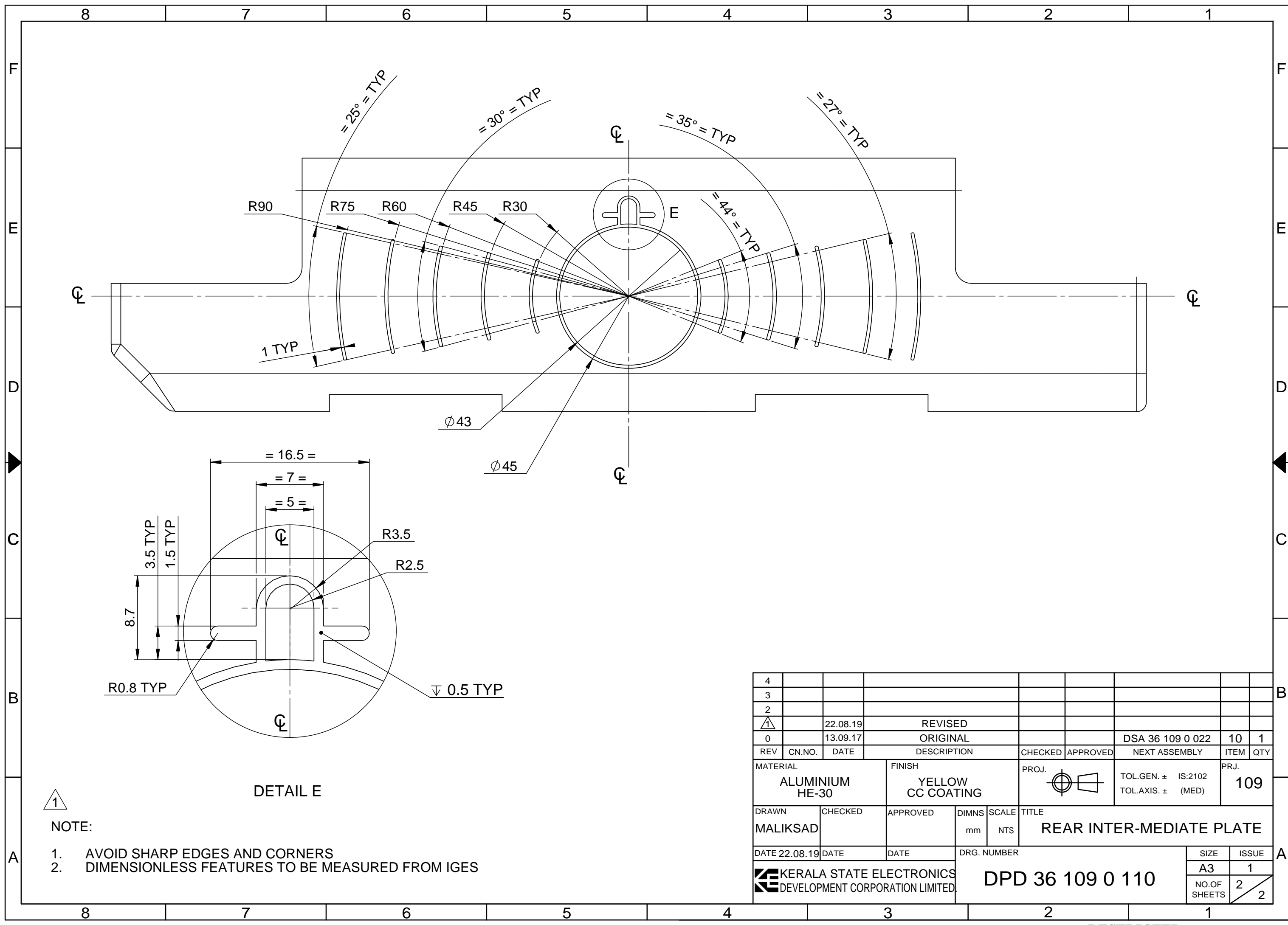


NOTE:
AVOID SHARP EDGES AND CORNERS

4									
3									
2									
△	21.08.19		REVISED						
0	03.08.17		ORIGINAL			DSA 36 109 0 011	03	01	
REV	CN.NO.	DATE	DESCRIPTION	CHECKED	APPROVED	NEXT ASSEMBLY	ITEM	QTY	
MATERIAL			FINISH		PROJ.	TOL.GEN. ± IS: 2102		PRJ.	
3mm ALUMINIUM 5052-H32			YELLOW CC COATING			TOL.AXIS. ± (MED.)		109	
DRAWN	CHECKED	APPROVED	DIMNS	SCALE	TITLE				
MALIKSAD			mm	NTS	REAR DISPLAY COVER				
DATE	DATE	DATE	DRG. NUMBER			SIZE	ISSUE		
21.08.19			DPD 36 109 0 117			A4	1		
Kerala State Electronics Development Corporation Limited						NO.OF SHEETS		1	
								1	



4										
3										
2										
1		22.08.19		REVISED						
0		13.09.17		ORIGINAL				DSA 36 109 0 022	10	1
REV	CN.NO.	DATE		DESCRIPTION	CHECKED	APPROVED		NEXT ASSEMBLY	ITEM	QTY
MATERIAL				FINISH	PROJ.		TOL.GEN. \pm IS:2102		PRJ.	
ALUMINIUM HE-30				YELLOW CC COATNG			TOL.AXIS. \pm (MED)		109	
DRAWN	CHECKED	APPROVED	DIMNS	SCALE	TITLE					
MALIKSAD			mm	NTS	REAR INTERMEDIATE PLATE					
DATE 22.08.19	DATE	DATE	DRG. NUMBER			SIZE		ISSUE		
			DPD 36 109 0 110			A3		1		
KERALA STATE ELECTRONICS DEVELOPMENT CORPORATION LIMITED.								NO.OF SHEETS		2

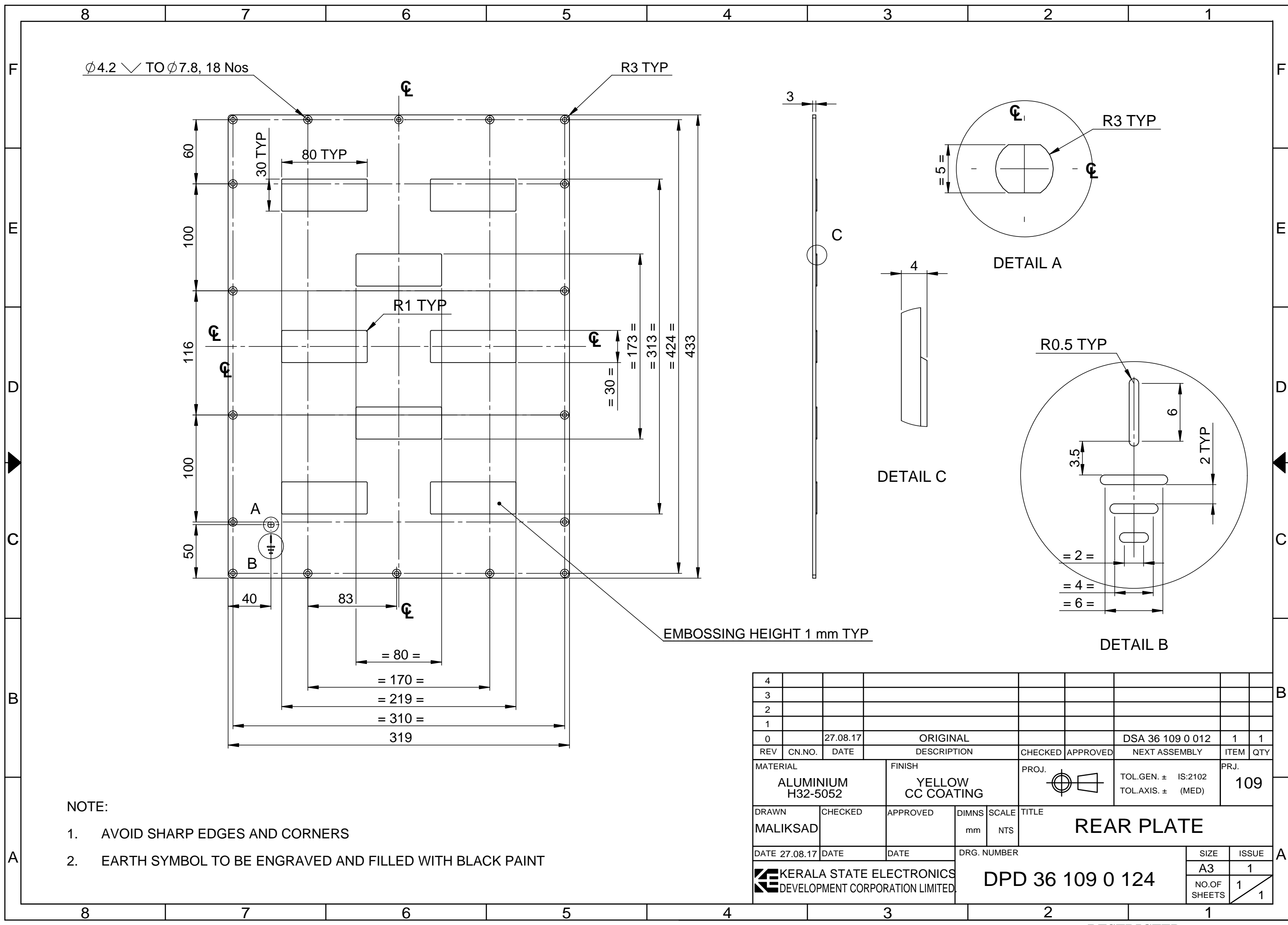


1

NOTE:

- 1. AVOID SHARP EDGES AND CORNERS
- 2. DIMENSIONLESS FEATURES TO BE MEASURED FROM IGES

4											
3											
2											
△		22.08.19		REVISED							
0		13.09.17		ORIGINAL				DSA 36 109 0 022	10	1	
REV	CN.NO.	DATE		DESCRIPTION	CHECKED	APPROVED		NEXT ASSEMBLY	ITEM	QTY	
MATERIAL				FINISH	PROJ.		TOL.GEN. ± IS:2102		PRJ.		
ALUMINIUM HE-30				YELLOW CC COATING			TOL.AXIS. ± (MED)		109		
DRAWN	CHECKED	APPROVED	DIMNS	SCALE	TITLE						
MALIKSAD			mm	NTS	REAR INTER-MEDIATE PLATE						
DATE 22.08.19	DATE	DATE	DRG. NUMBER			SIZE		ISSUE			
			KERALA STATE ELECTRONICS DEVELOPMENT CORPORATION LIMITED.			DPD 36 109 0 110		A3		1	
						NO.OF SHEETS		2		2	



∅4.2 ✓ TO ∅7.8, 18 Nos

R3 TYP

DETAIL A

DETAIL C

DETAIL B

EMBOSSING HEIGHT 1 mm TYP

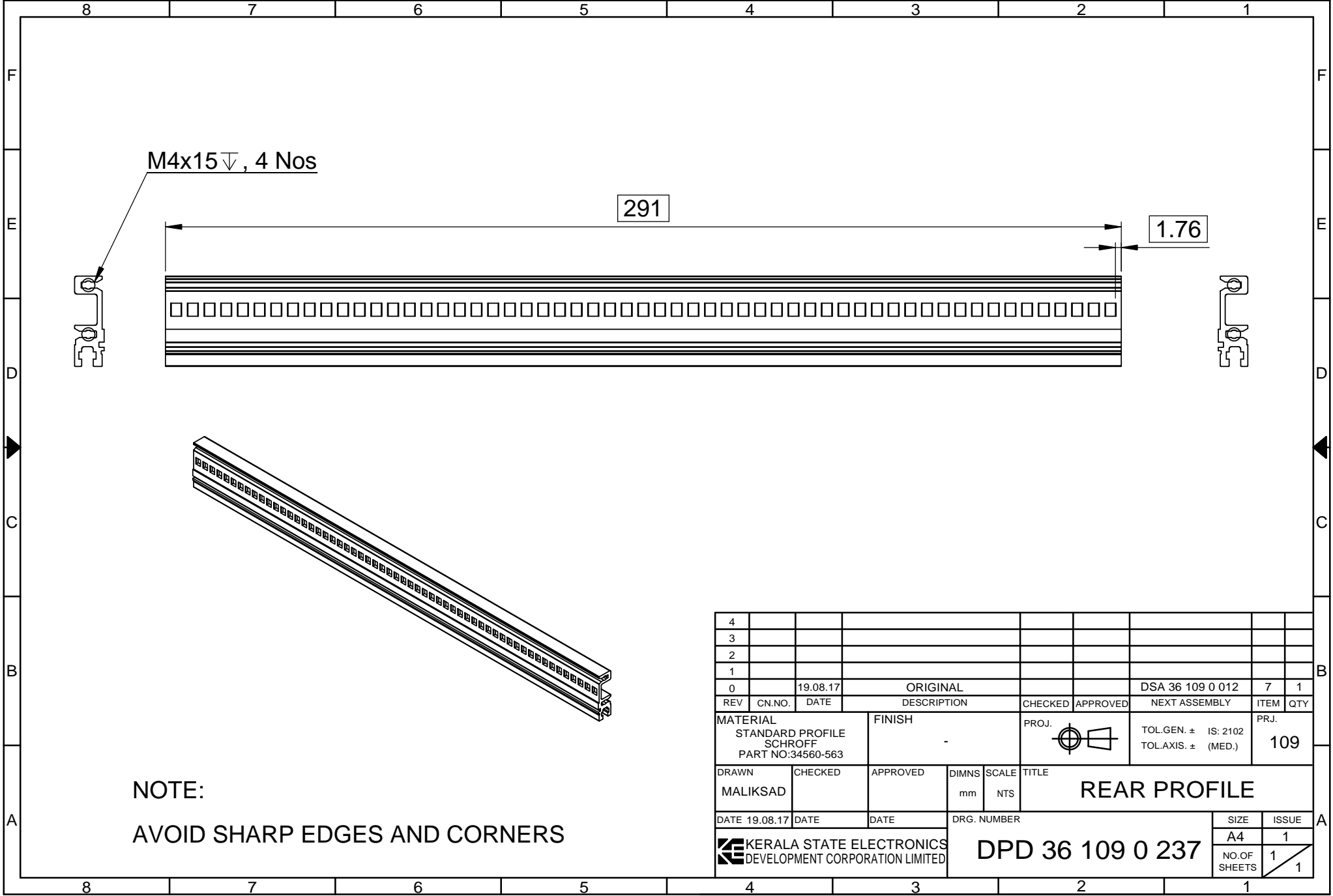
NOTE:

1. AVOID SHARP EDGES AND CORNERS
2. EARTH SYMBOL TO BE ENGRAVED AND FILLED WITH BLACK PAINT

4									
3									
2									
1									
0		27.08.17		ORIGINAL				DSA 36 109 0 012	1 1
REV	CN.NO.	DATE		DESCRIPTION	CHECKED	APPROVED		NEXT ASSEMBLY	ITEM QTY
MATERIAL		FINISH		PROJ.	TOL.GEN. ± IS:2102		PRJ.		
ALUMINIUM H32-5052		YELLOW CC COATING			TOL.AXIS. ± (MED)		109		
DRAWN	CHECKED	APPROVED	DIMNS	SCALE	TITLE				
MALIKSAD			mm	NTS	REAR PLATE				
DATE	27.08.17	DATE	DATE	DRG. NUMBER		SIZE		ISSUE	
				DPD 36 109 0 124		A3		1	
						NO.OF SHEETS		1	
								1	

RESTRICTED

RESTRICTED



M4x15, 4 Nos

291

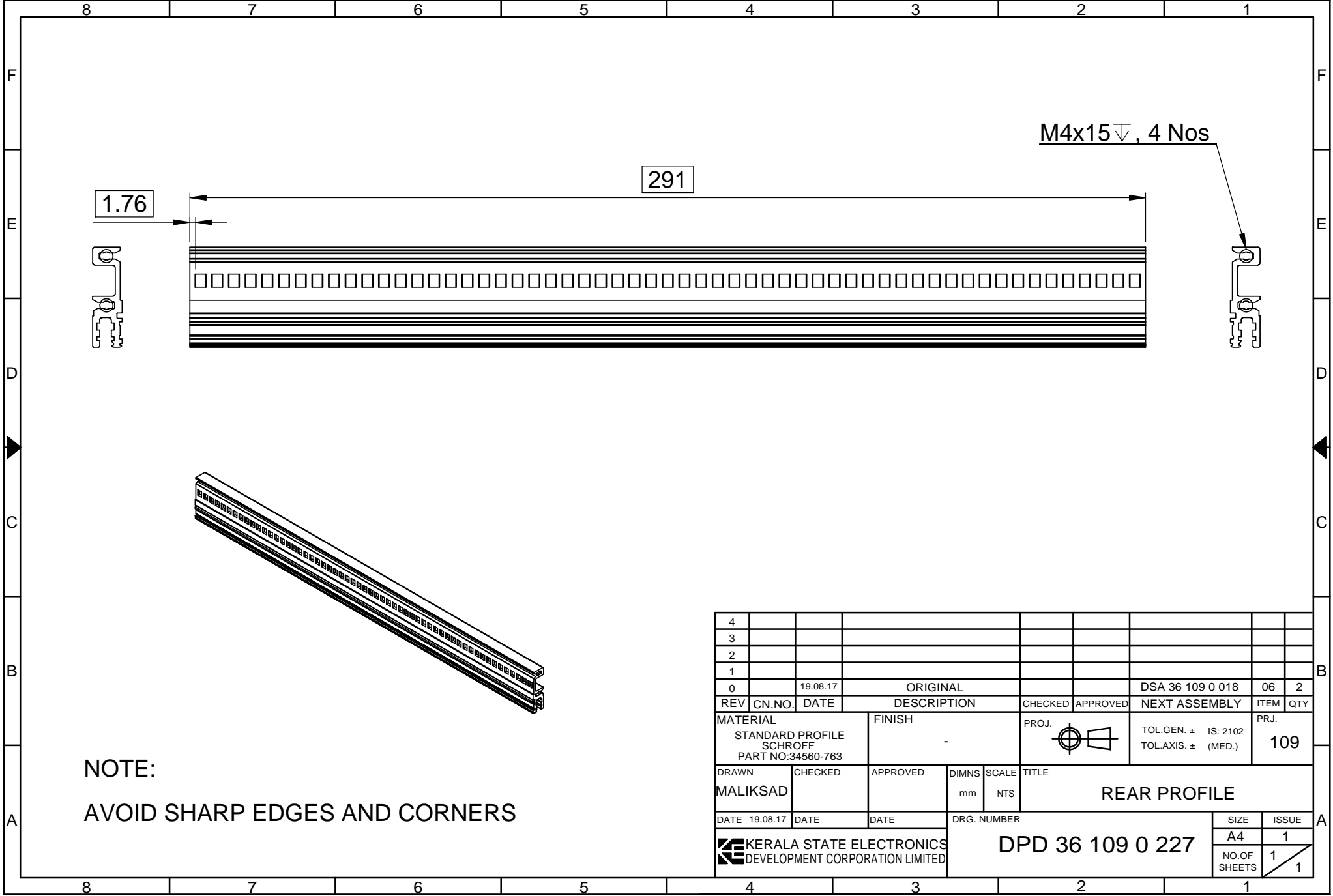
1.76

NOTE:
AVOID SHARP EDGES AND CORNERS

4										
3										
2										
1										
0		19.08.17		ORIGINAL				DSA 36 109 0 012	7	1
REV	CN.NO.	DATE	DESCRIPTION			CHECKED	APPROVED	NEXT ASSEMBLY	ITEM	QTY
MATERIAL			FINISH		PROJ.		TOL.GEN. ± IS: 2102		PRJ.	
STANDARD PROFILE			-				TOL.AXIS ± (MED.)		109	
SCHROFF										
PART NO:34560-563										
DRAWN	CHECKED	APPROVED	DIMNS	SCALE	TITLE					
MALIKSAD			mm	NTS	REAR PROFILE					
DATE 19.08.17	DATE	DATE	DRG. NUMBER			SIZE		ISSUE		
Kerala State Electronics Development Corporation Limited			DPD 36 109 0 237			A4		1		
						NO.OF SHEETS		1		

RESTRICTED

RESTRICTED



1.76

291

M4x15, 4 Nos

NOTE:
AVOID SHARP EDGES AND CORNERS

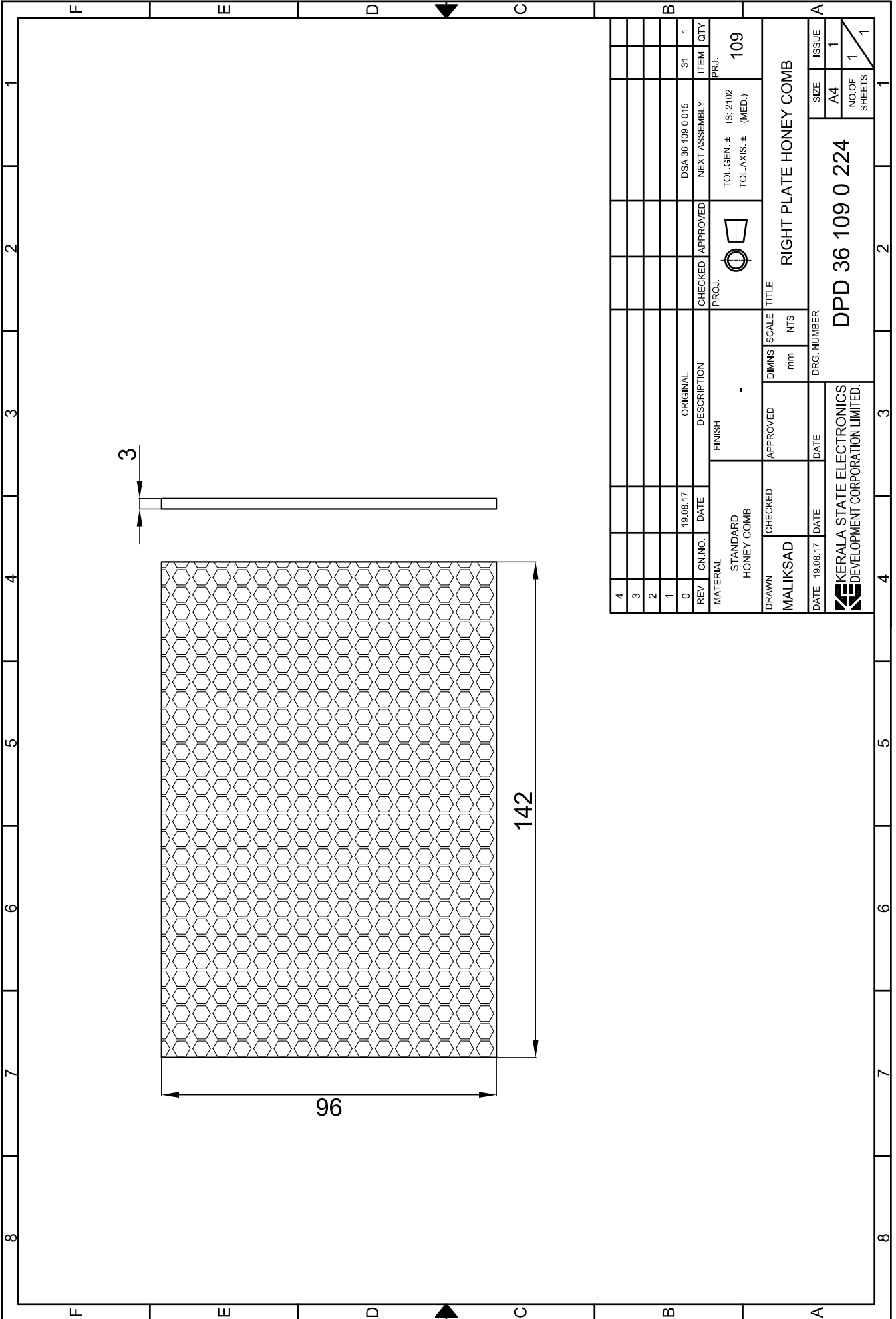
4											
3											
2											
1											
0		19.08.17		ORIGINAL				DSA 36 109 0 018	06	2	
REV	CN.NO.	DATE	DESCRIPTION			CHECKED	APPROVED	NEXT ASSEMBLY	ITEM	QTY	
MATERIAL			FINISH		PROJ.		TOL.GEN. ± IS: 2102		PRJ.		
STANDARD PROFILE			-				TOL.AXIS. ± (MED.)		109		
SCHROFF											
PART NO:34560-763											
DRAWN		CHECKED		APPROVED		DIMNS		SCALE		TITLE	
MALIKSAD						mm		NTS		REAR PROFILE	
DATE 19.08.17		DATE		DATE		DRG. NUMBER				SIZE	ISSUE
						DPD 36 109 0 227				A4	1
										NO.OF SHEETS	1
											1

KERALA STATE ELECTRONICS DEVELOPMENT CORPORATION LIMITED

DPD 36 109 0 227

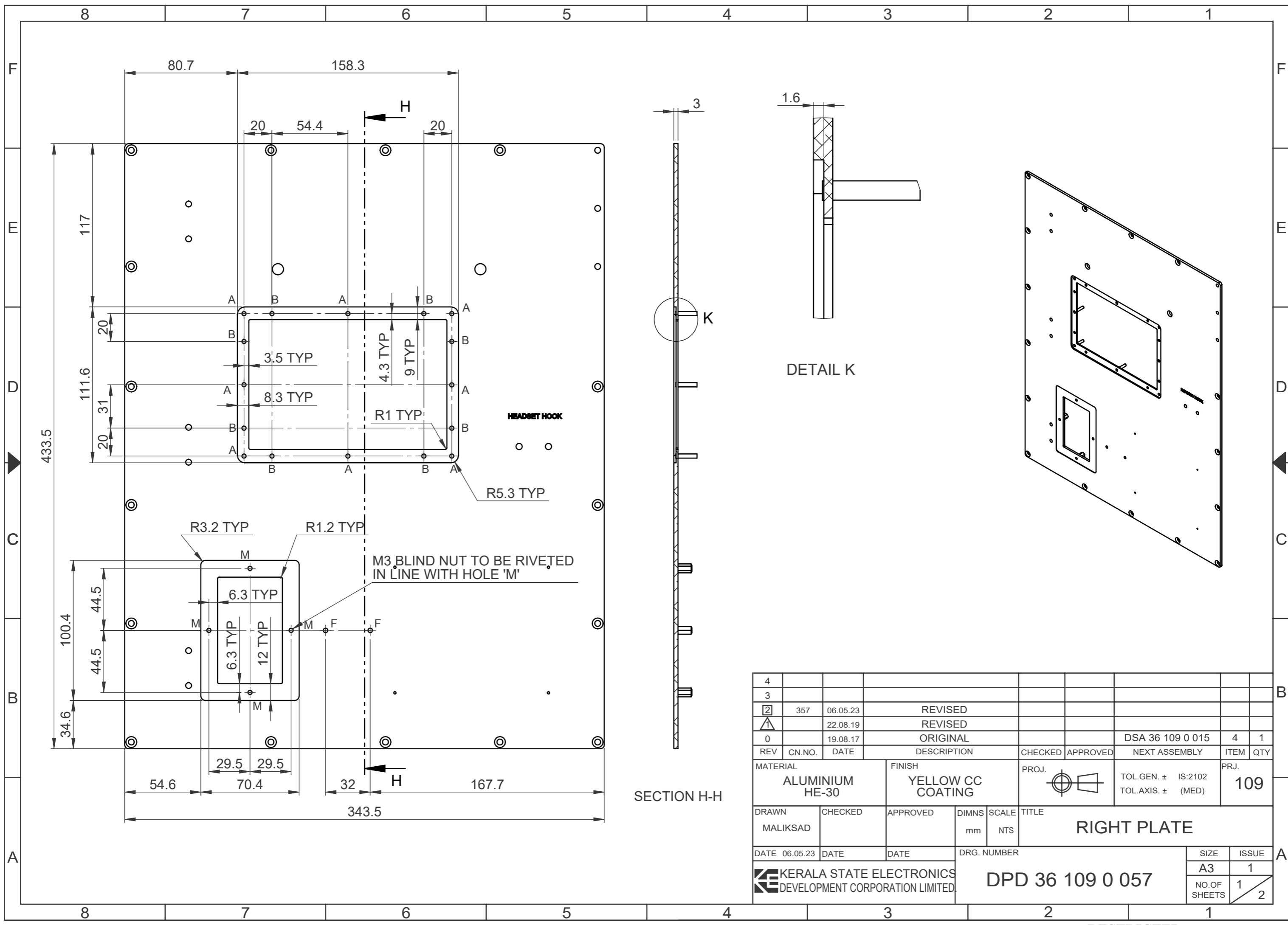
SIZE A4
ISSUE 1
NO.OF SHEETS 1

RESTRICTED

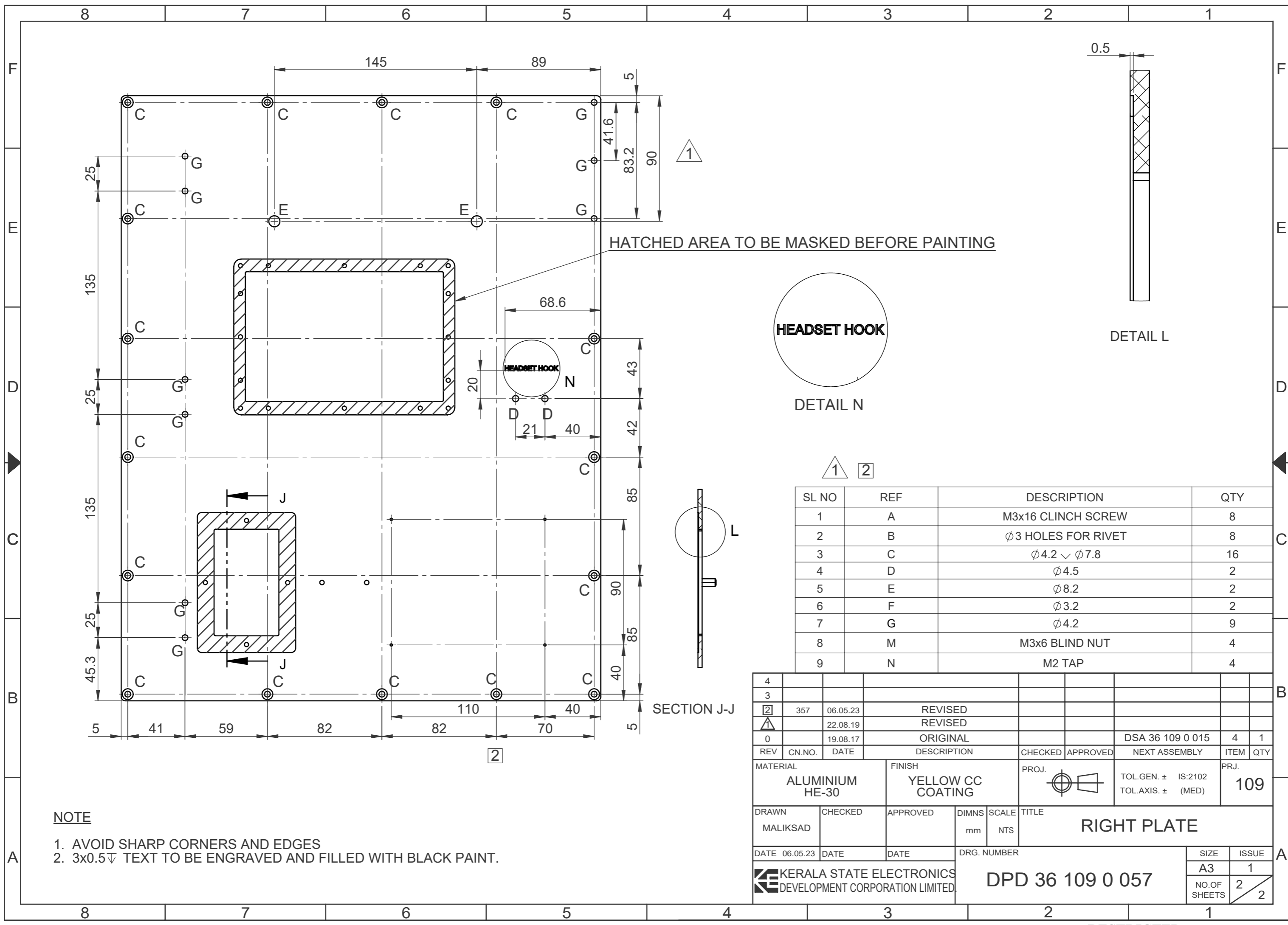


4																									
3																									
2																									
1																									
0	19.08.17					ORIGINAL																			
REV.	CN.NO.	DATE				DESCRIPTION	CHECKED	APPROVED																	
MATERIAL	STANDARD HONEY COMB		FINISH		-		PROJ.				TOL.GEN.# IS: 2102		TOL.AXIS.# (MED.)		PRJ.		109								
DRAWN	MALIKSAD		APPROVED				DIMENS		SCALE		TITLE		RIGHT PLATE HONEY COMB												
DATE	19.08.17		DATE				mm		NTS				DRG. NUMBER		DPD 36 109 0 224										
KERALA STATE ELECTRONICS DEVELOPMENT CORPORATION LIMITED.												SIZE		ISSUE											
												A4		1											
												NO.OF SHEETS		1											

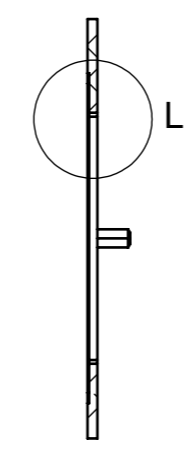
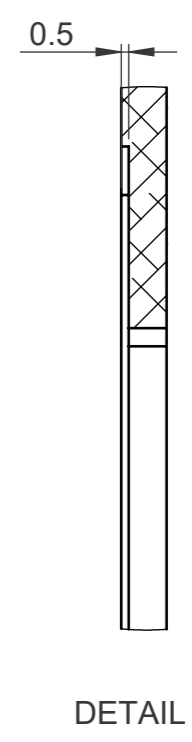
RESTRICTED



4														
3														
2	357	06.05.23		REVISED										
1		22.08.19		REVISED										
0		19.08.17		ORIGINAL										
REV	CN.NO.	DATE		DESCRIPTION	CHECKED	APPROVED		NEXT ASSEMBLY	ITEM	QTY				
MATERIAL		FINISH		PROJ.	TOL.GEN. ± IS:2102		PRJ.							
ALUMINIUM HE-30		YELLOW CC COATING			TOL.AXIS. ± (MED)		109							
DRAWN	CHECKED	APPROVED	DIMNS	SCALE	TITLE									
MALIKSAD			mm	NTS	RIGHT PLATE									
DATE	06.05.23	DATE	DATE	DRG. NUMBER			SIZE		ISSUE					
				KERALA STATE ELECTRONICS DEVELOPMENT CORPORATION LIMITED.			DPD 36 109 0 057		A3		1			
							NO.OF SHEETS		1		2			



NOTE
 1. AVOID SHARP CORNERS AND EDGES
 2. 3x0.5∇ TEXT TO BE ENGRAVED AND FILLED WITH BLACK PAINT.

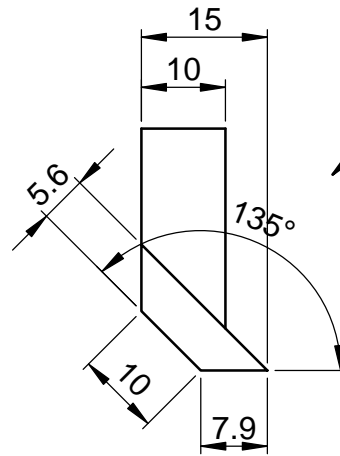
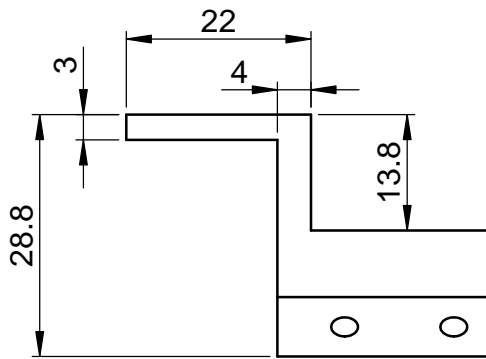
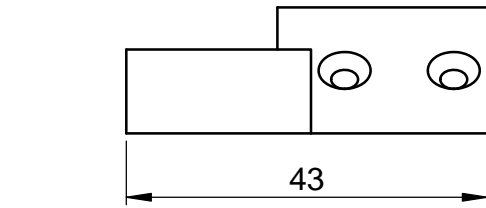


SL NO	REF	DESCRIPTION	QTY
1	A	M3x16 CLINCH SCREW	8
2	B	∅3 HOLES FOR RIVET	8
3	C	∅4.2 ∨ ∅7.8	16
4	D	∅4.5	2
5	E	∅8.2	2
6	F	∅3.2	2
7	G	∅4.2	9
8	M	M3x6 BLIND NUT	4
9	N	M2 TAP	4

4										
3										
2	357	06.05.23	REVISED							
1		22.08.19	REVISED							
0		19.08.17	ORIGINAL					DSA 36 109 0 015	4	1
REV	CN.NO.	DATE	DESCRIPTION	CHECKED	APPROVED	NEXT ASSEMBLY	ITEM	QTY		
MATERIAL		FINISH		PROJ.		TOL.GEN. ± IS:2102		PRJ.		
ALUMINIUM HE-30		YELLOW CC COATING		[Symbol]		TOL.AXIS. ± (MED)		109		
DRAWN	CHECKED	APPROVED	DIMNS	SCALE	TITLE					
MALIKSAD			mm	NTS	RIGHT PLATE					
DATE	06.05.23	DATE	DATE	DRG. NUMBER		SIZE		ISSUE		
KERALA STATE ELECTRONICS DEVELOPMENT CORPORATION LIMITED.				DPD 36 109 0 057		A3		1		
						NO.OF SHEETS		2		
								2		

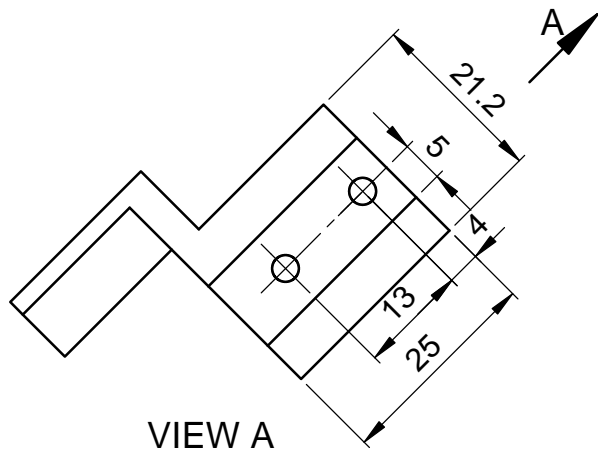
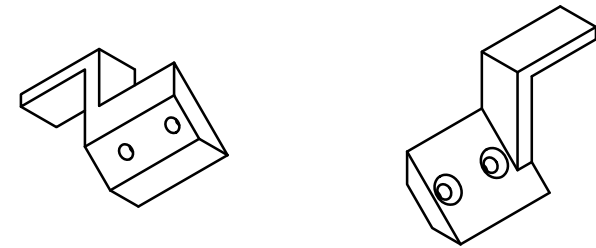
RESTRICTED

RESTRICTED



C

VIEW C

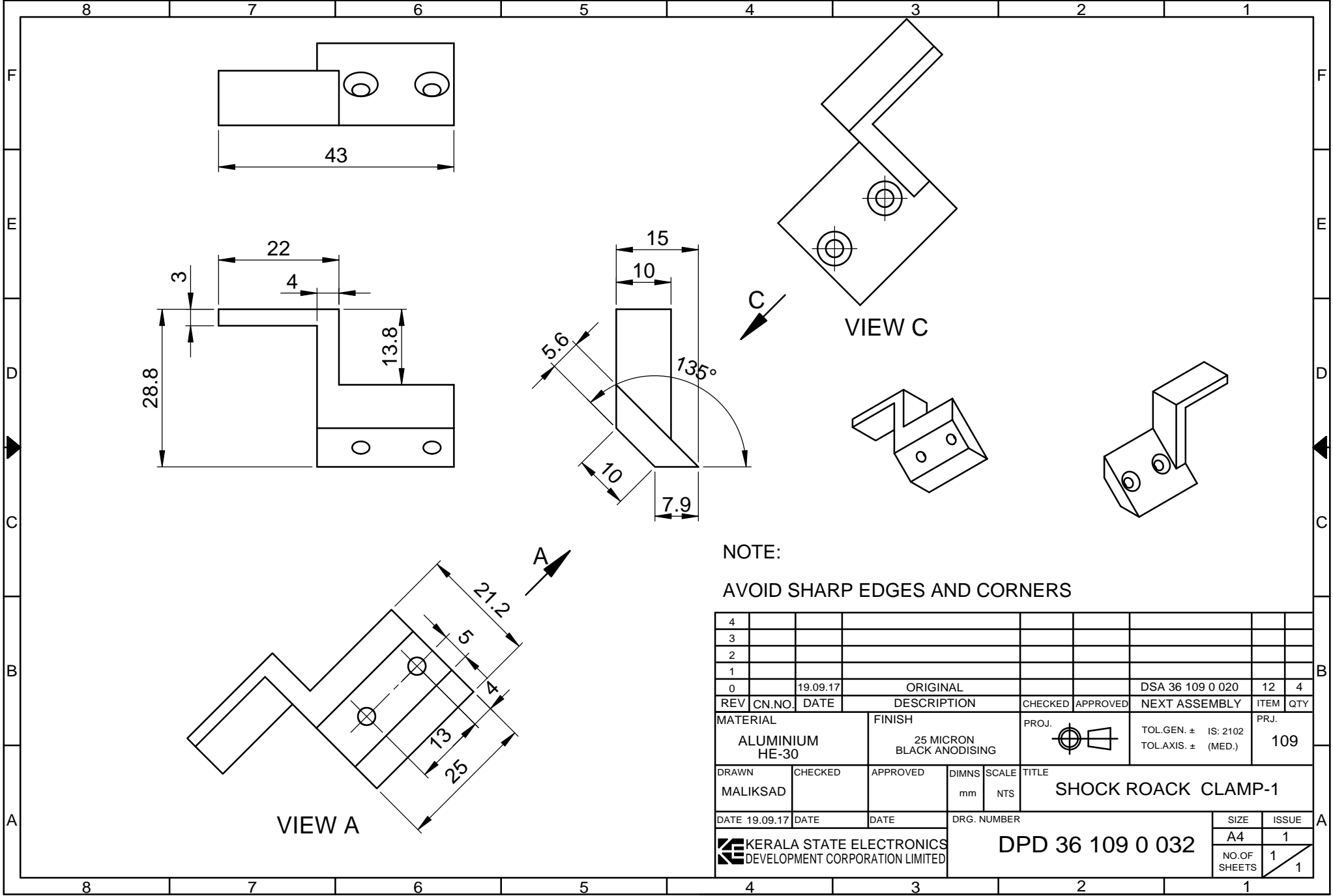


VIEW A

NOTE:

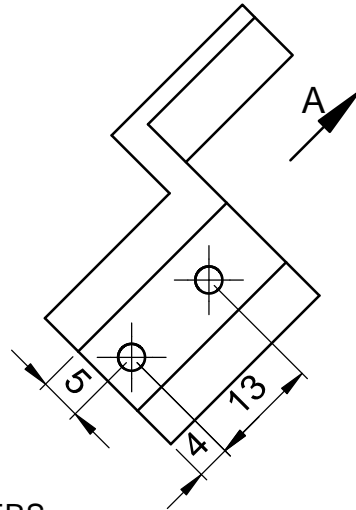
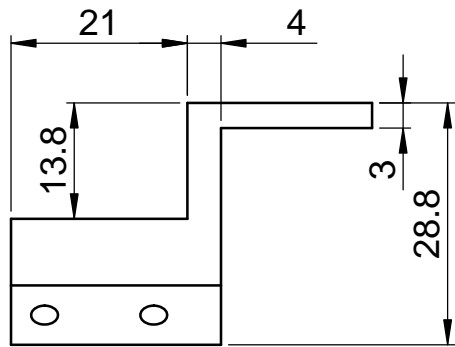
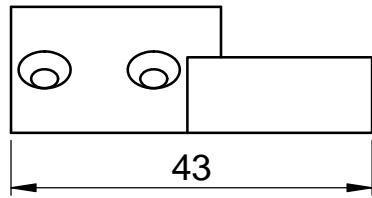
AVOID SHARP EDGES AND CORNERS

4									
3									
2									
1									
0	19.09.17	ORIGINAL			DSA 36 109 0 020	12	4		
REV	CN.NO.	DATE	DESCRIPTION	CHECKED	APPROVED	NEXT ASSEMBLY	ITEM	QTY	
MATERIAL		FINISH		PROJ.		TOL.GEN. ± IS: 2102		PRJ.	
ALUMINIUM HE-30		25 MICRON BLACK ANODISING				TOL.AXIS. ± (MED.)		109	
DRAWN	CHECKED	APPROVED	DIMNS	SCALE	TITLE				
MALIKSAD			mm	NTS	SHOCK ROACK CLAMP-1				
DATE	DATE	DATE	DRG. NUMBER		SIZE		ISSUE		
19.09.17			DPD 36 109 0 032		A4		1		
KERALA STATE ELECTRONICS DEVELOPMENT CORPORATION LIMITED							NO.OF SHEETS		1
									1

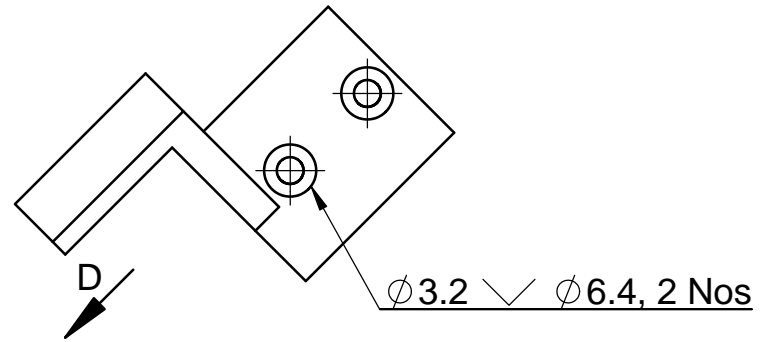


RESTRICTED

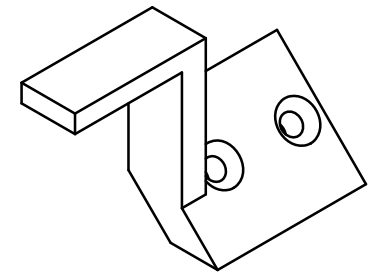
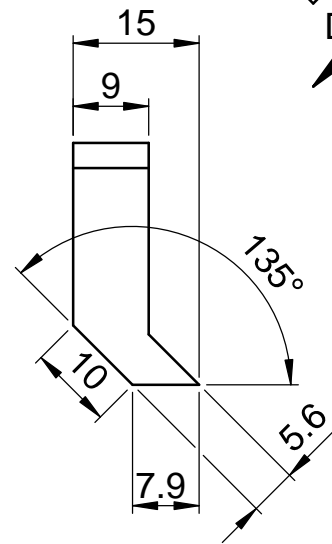
RESTRICTED



VIEW A



VIEW D



NOTE:

AVOID SHARP EDGES AND CORNERS

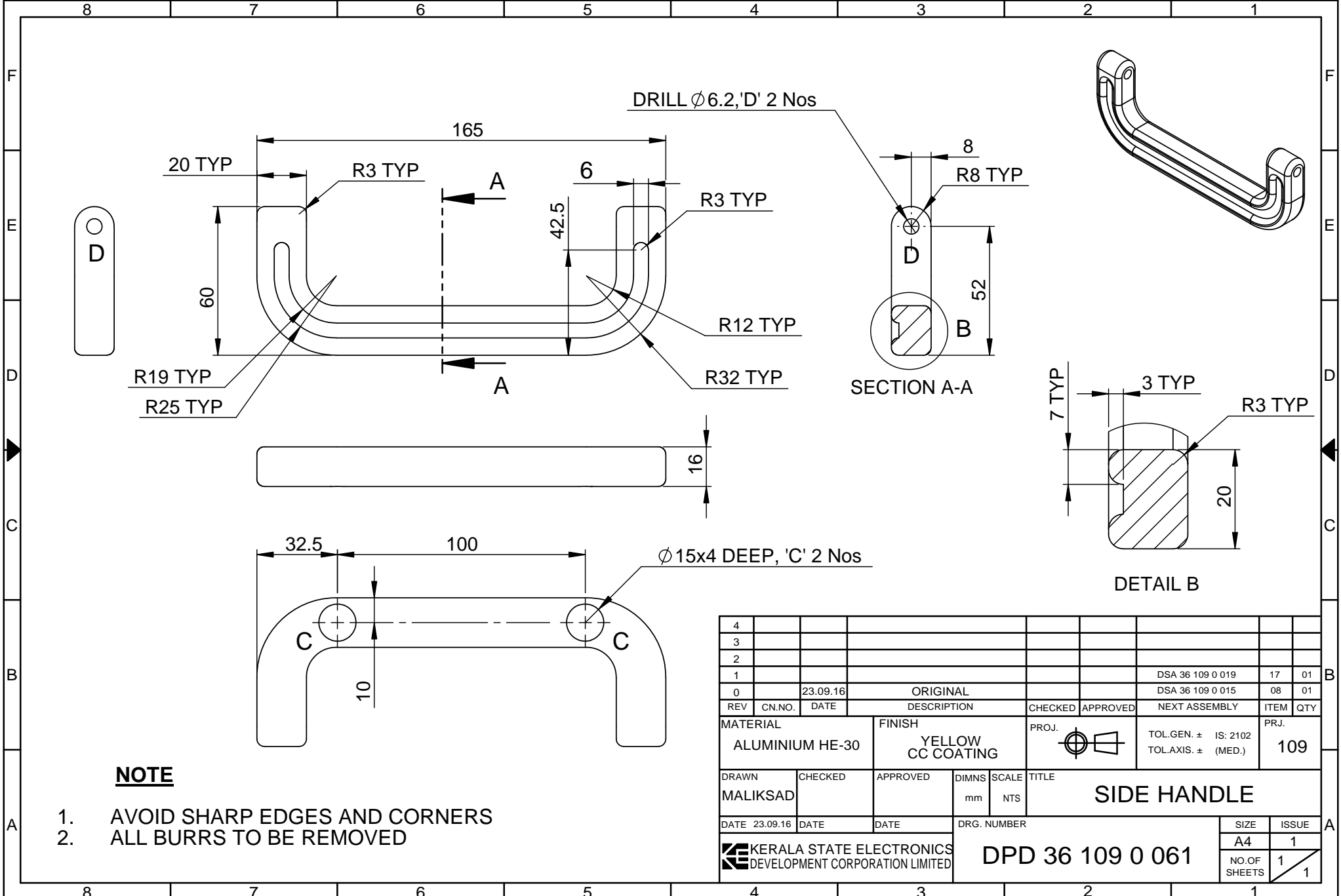
4									
3									
2									
1									
0	16.09.17	ORIGINAL			DSA 36 109 0 021	22	4		
REV	CN.NO.	DATE	DESCRIPTION	CHECKED	APPROVED	NEXT ASSEMBLY	ITEM	QTY	
MATERIAL		FINISH		PROJ.		TOL.GEN. ± IS: 2102		PRJ.	
ALUMINUM HE-30		25 MICRON BLACK ANODISING				TOL.AXIS. ± (MED.)		109	
DRAWN	CHECKED	APPROVED	DIMNS	SCALE	TITLE				
MALIKSAD			mm	NTS	SHOCK ROACK CLAMP-2				
DATE 16.09.17	DATE	DATE	DRG. NUMBER		SIZE		ISSUE		
					DPD 36 109 0 172		A4	1	
							NO.OF SHEETS	1	

RESTRICTED

RESTRICTED

RESTRICTED

RESTRICTED



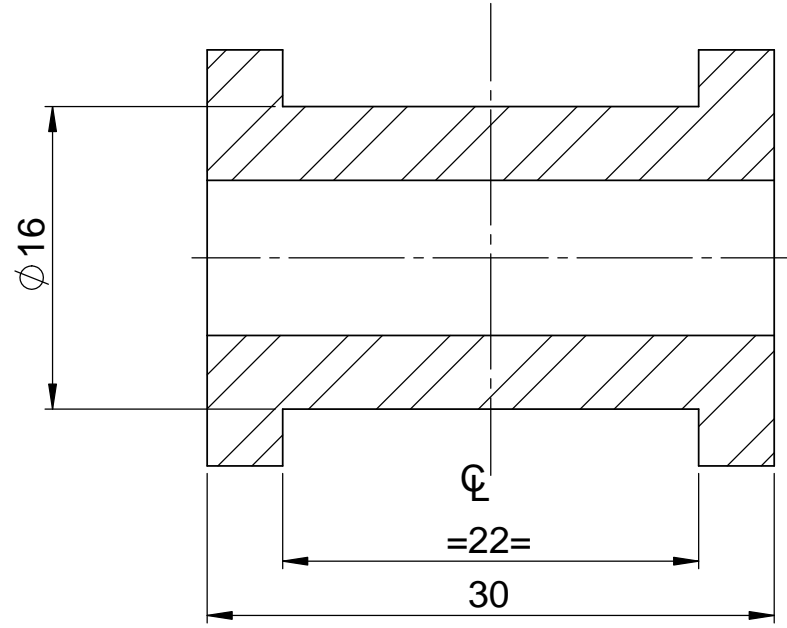
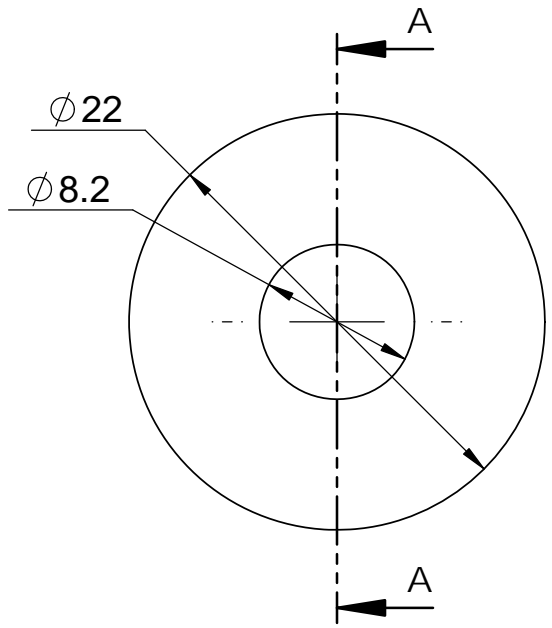
NOTE

1. AVOID SHARP EDGES AND CORNERS
2. ALL BURRS TO BE REMOVED

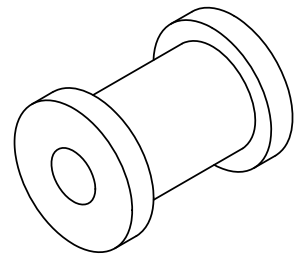
4											
3											
2											
1								DSA 36 109 0 019	17 01		
0		23.09.16		ORIGINAL				DSA 36 109 0 015	08 01		
REV	CN.NO.	DATE		DESCRIPTION	CHECKED	APPROVED		NEXT ASSEMBLY	ITEM	QTY	
MATERIAL				FINISH	PROJ.		TOL.GEN. ± IS: 2102		PRJ.		
ALUMINIUM HE-30				YELLOW CC COATING			TOL.AXIS. ± (MED.)		109		
DRAWN		CHECKED		APPROVED		DIMNS		SCALE		TITLE	
MALIKSAD						mm		NTS		SIDE HANDLE	
DATE 23.09.16		DATE		DATE		DRG. NUMBER				SIZE	
						DPD 36 109 0 061				ISSUE	
										A4	
										1	
										NO.OF SHEETS	
										1	
										1	

RESTRICTED

RESTRICTED



SECTION A-A



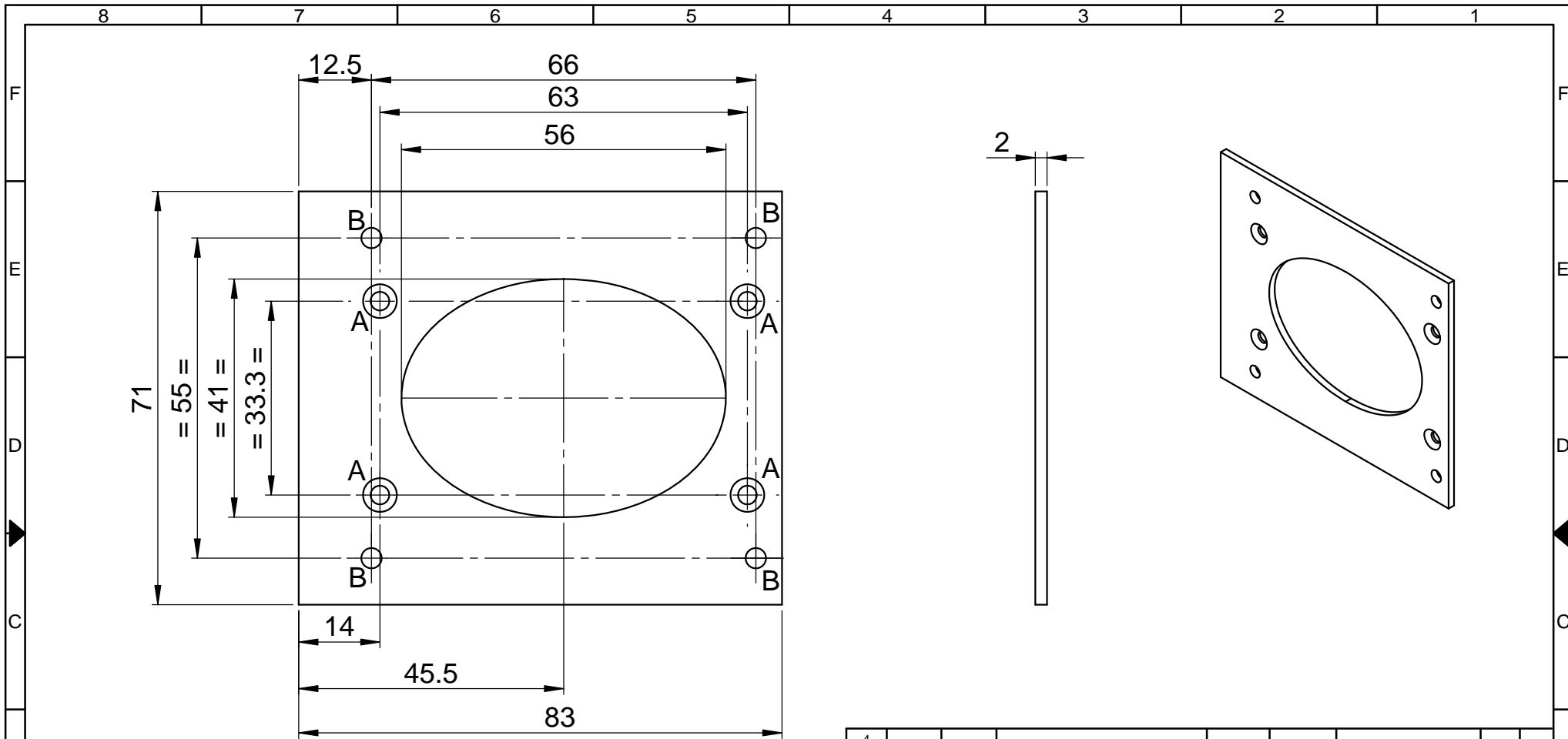
NOTE

1. AVOID SHARP EDGES AND CORNERS

4									
3									
2									
1									
0		12.08.17		ORIGINAL			DSA 36 109 0 018	9	4
REV	CN.NO.	DATE	DESCRIPTION		CHECKED	APPROVED	NEXT ASSEMBLY	ITEM	QTY
MATERIAL			FINISH		PROJ.		TOL.GEN. \pm IS: 2102	PRJ.	
DELTRIN			--				TOL.AXIS. \pm (MED.)	109	
DRAWN		CHECKED	APPROVED	DIMNS	SCALE	TITLE			
MALIKSAD				mm	NTS	SPACER FOR CANOPY			
DATE	12.08.17	DATE	DATE	DRG. NUMBER			SIZE	ISSUE	
				DPD 36 109 0 079			A4	1	
							NO.OF SHEETS	1	
								1	

RESTRICTED

RESTRICTED

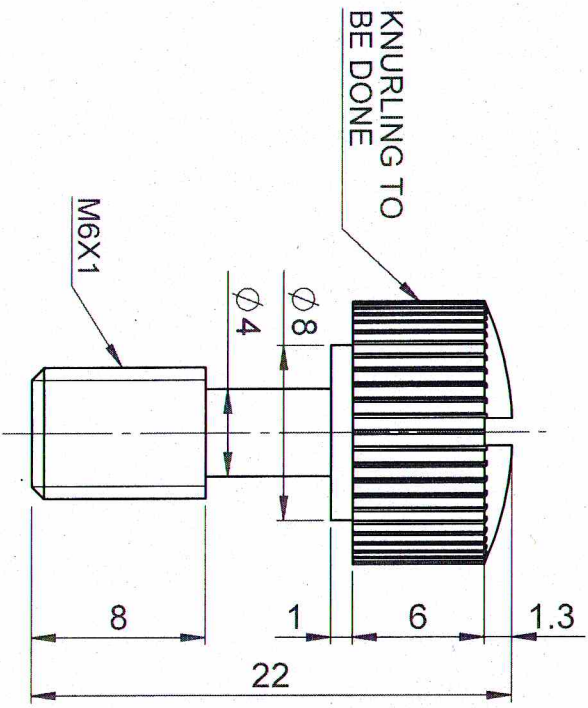
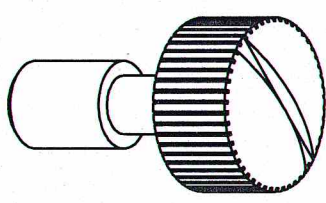
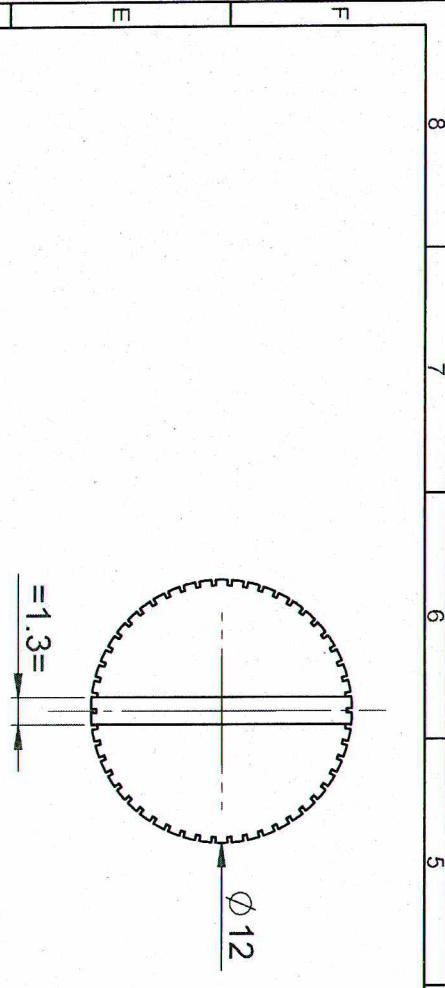


NOTE:

1. AVOID SHARP EDGES AND CORNERS
2. BURRS MUST BE REMOVED


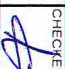
SL NO	REF	DESCRIPTION	QTY
1	A	DRILL $\phi 3.2 \checkmark \phi 5.8$	4
2	B	$\phi 3.5$	4

4									
3									
2									
1									
△	21.08.19		REVISED						
0	11.08.17		ORIGINAL			DSA 36 109 0 011	8	2	
REV	CN.NO.	DATE	DESCRIPTION	CHECKED	APPROVED	NEXT ASSEMBLY	ITEM	QTY	
MATERIAL			FINISH	PROJ.		TOL.GEN. ± IS: 2102	PRJ.		
2 mm ALUMINIUM HE-32/5052			YELLOW CC COATING			TOL.AXIS. ± (MED.)	109		
DRAWN	CHECKED	APPROVED	DIMNS	SCALE	TITLE				
MALIKSAD			mm	NTS	SPEAKER PLATE				
DATE	DATE	DATE	DRG. NUMBER			SIZE	ISSUE		
21.08.19			DPD 36 109 0 118			A4	1		
						NO.OF SHEETS	1		
							1		



- NOTE**
1. AVOID SHARP CORNERS AND EDGES
 2. BURRS MUST BE REMOVED

MASTER DOCUMENT

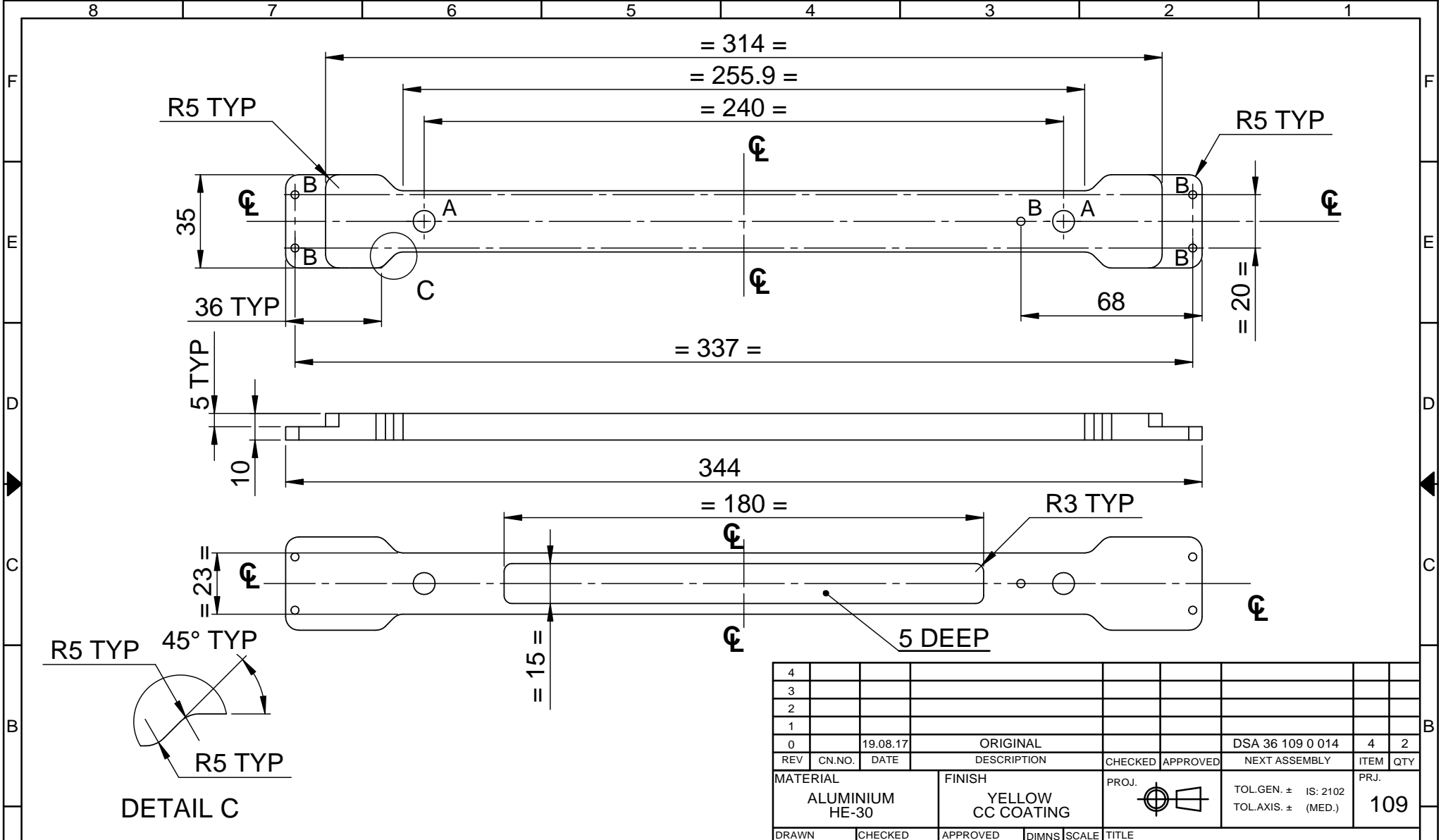
4									
3									
2									
1									
0	23.11.16		ORIGINAL					5	2
REV	CNNO.	DATE	DESCRIPTION	CHECKED	APPROVED			ITEM	QTY
MATERIAL				FINISH		PROJ		TOL.GEN. # (S. 2102)	
SS 316				-				TOL.AXIS. # (MED.)	
DRAWN		CHECKED		APPROVED		DIMMS SCALE		TITLE	
THUSHANTH						mm NTS		SS CAPTIVE SCREW	
DATE 23.11.16		DATE		DATE		DRG. NUMBER			
						DPD 36 109 0 133			
								SIZE	
								A4	
								NO.OF	
								1	
								SHEETS	
								1	

KERALA STATE ELECTRONICS DEVELOPMENT CORPORATION LIMITED

DPD 36 109 0 133

RESTRICTED

RESTRICTED



SL NO	REF	DESCRIPTION	QTY
1	A	$\phi 8.2$	2
2	B	DRILL $\phi 3.1$ AND M3 HELICOIL TAP	5

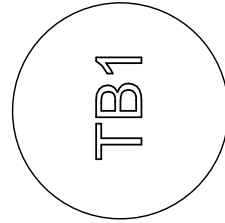
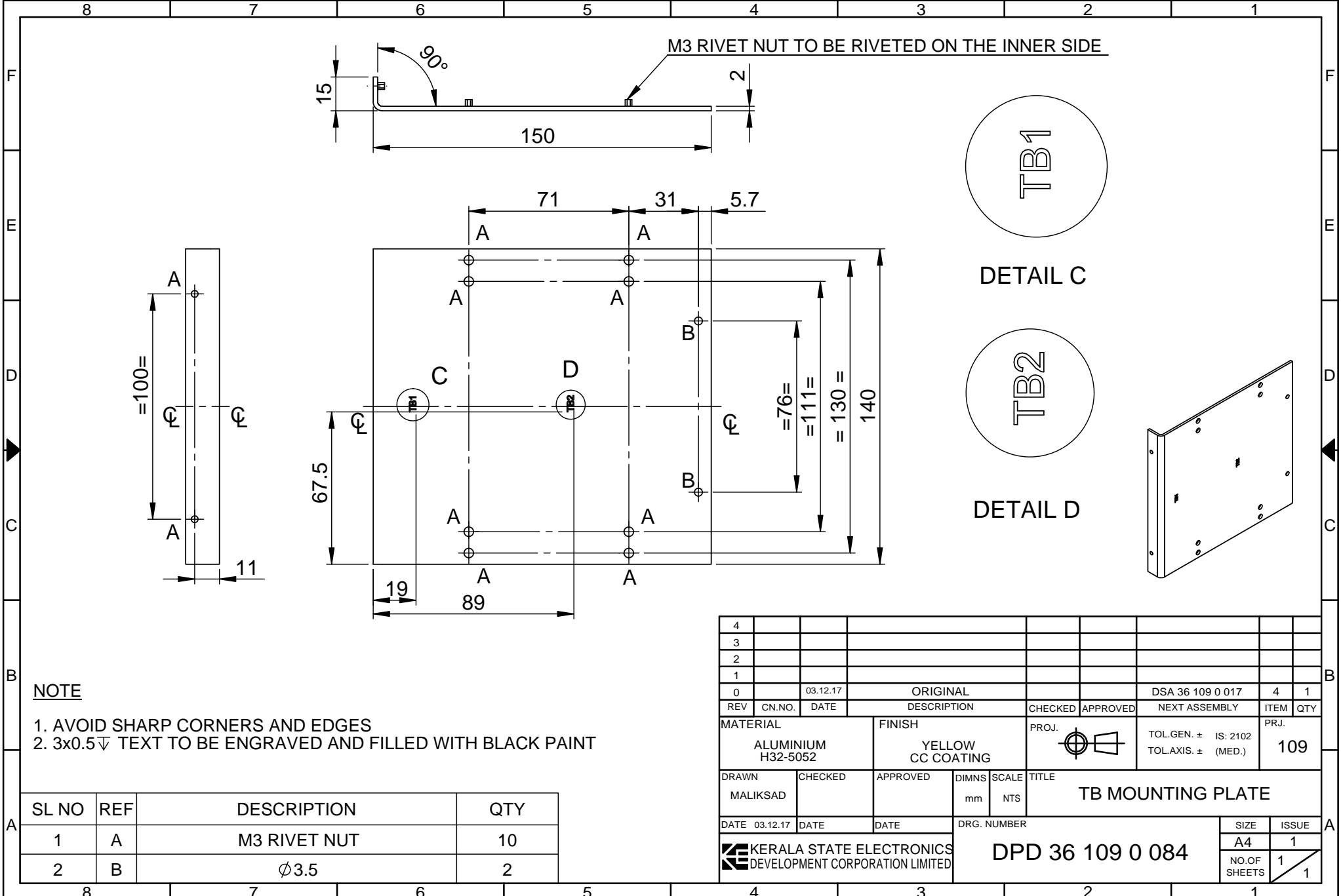
4									
3									
2									
1									
0	19.08.17	ORIGINAL			DSA 36 109 0 014	4	2		
REV	CN.NO.	DATE	DESCRIPTION	CHECKED	APPROVED	NEXT ASSEMBLY	ITEM	QTY	
MATERIAL		FINISH		PROJ.		TOL.GEN. \pm IS: 2102		PRJ.	
ALUMINIUM HE-30		YELLOW CC COATING				TOL.AXIS. \pm (MED.)		109	
DRAWN	CHECKED	APPROVED	DIMNS	SCALE	TITLE				
MALIKSAD			mm	NTS	STIFFENER- SHOCK MOUNT				
DATE 19.08.17	DATE	DATE	DRG. NUMBER		SIZE		ISSUE		
					DPD 36 109 0 130		A4		1
							NO.OF SHEETS		1

A

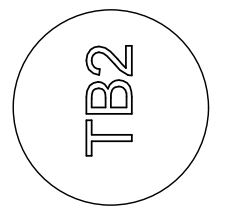
A

RESTRICTED

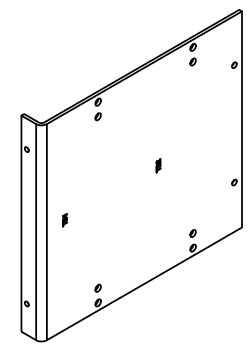
RESTRICTED



DETAIL C



DETAIL D



NOTE

1. AVOID SHARP CORNERS AND EDGES
2. 3x0.5∇ TEXT TO BE ENGRAVED AND FILLED WITH BLACK PAINT

4									
3									
2									
1									
0	03.12.17		ORIGINAL			DSA 36 109 0 017	4	1	
REV	CN.NO.	DATE	DESCRIPTION	CHECKED	APPROVED	NEXT ASSEMBLY	ITEM	QTY	
MATERIAL			FINISH		PROJ.	TOL.GEN. ± IS: 2102	PRJ.		
ALUMINIUM H32-5052			YELLOW CC COATING			TOL.AXIS. ± (MED.)	109		
DRAWN	CHECKED	APPROVED	DIMNS	SCALE	TITLE				
MALIKSAD			mm	NTS	TB MOUNTING PLATE				
DATE	03.12.17	DATE	DATE	DRG. NUMBER			SIZE	ISSUE	
				KERALA STATE ELECTRONICS DEVELOPMENT CORPORATION LIMITED			A4	1	
				DPD 36 109 0 084			NO.OF SHEETS	1	
								1	

SL NO	REF	DESCRIPTION	QTY
1	A	M3 RIVET NUT	10
2	B	∅3.5	2

A

A

DATE 26.08.16	DATE	DRG. NUMBER	TITLE
			TRANSFORMER TOP PLATE
DRAWN MALIKSAD	CHECKED	APPROVED	DIMNS SCALE
			mm NTS

MATERIAL 2.5mm ALUMINUM SHEET	FINISH 25 MICRON BLACK ANODIZING	PROJ.	TOL. GEN. ± IS:2102	TOL. AXIS. ± (MED)	PRJ. 109
-------------------------------	----------------------------------	-------	---------------------	--------------------	----------

REV	CN. NO.	DATE	DESCRIPTION	CHECKED	APPROVED	NEXT ASSEMBLY	ITEM	QTY
0		26.08.16	ORIGINAL			DSA 36 109 0 107	5	1
1								
2								
3								
4								

B

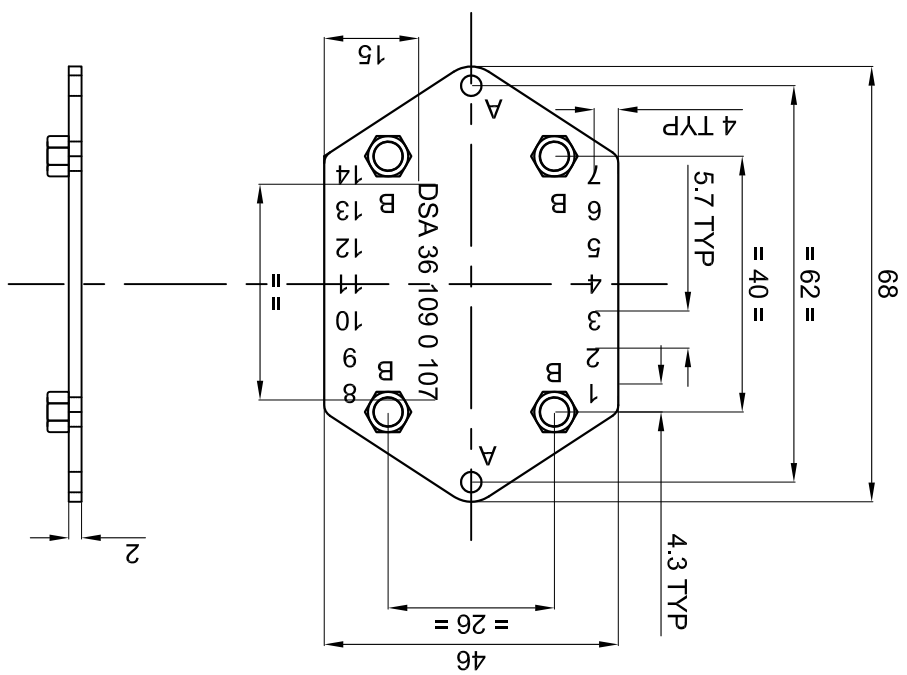
B

NOTE
 1. 3mm TEXT TO BE ENGRAVED AND FILL WITH WHITE COLOR PAINT
 2. M3 RIVET NUT TO BE RIVETED ON HOLE 'B'

SL NO	REF	DESCRIPTION	QTY
1	A	Ø3.5	2
2	B	Ø4.6	4

C

C



D

D

F

F

F

F