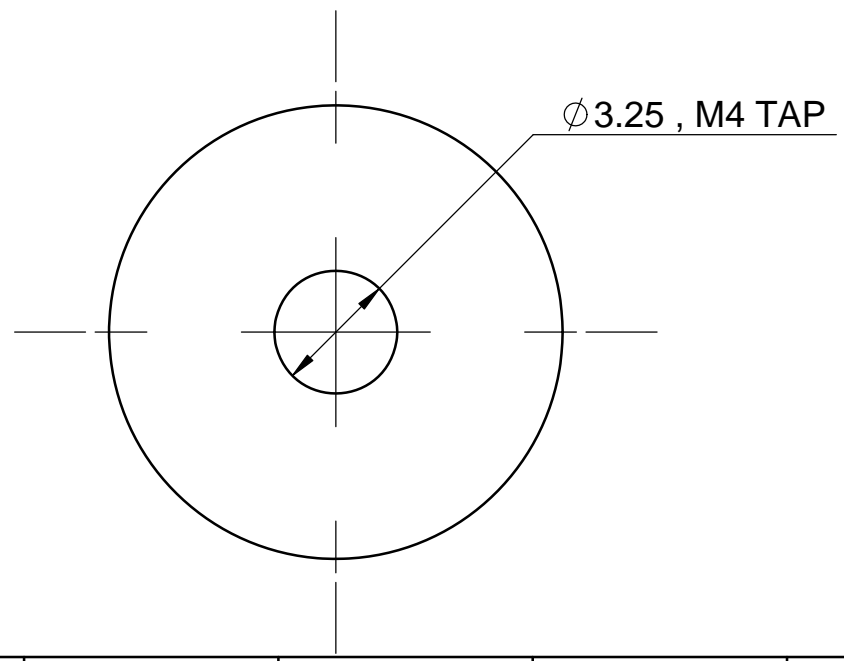
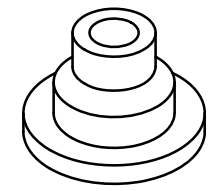
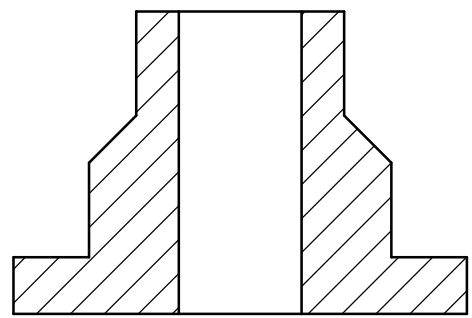
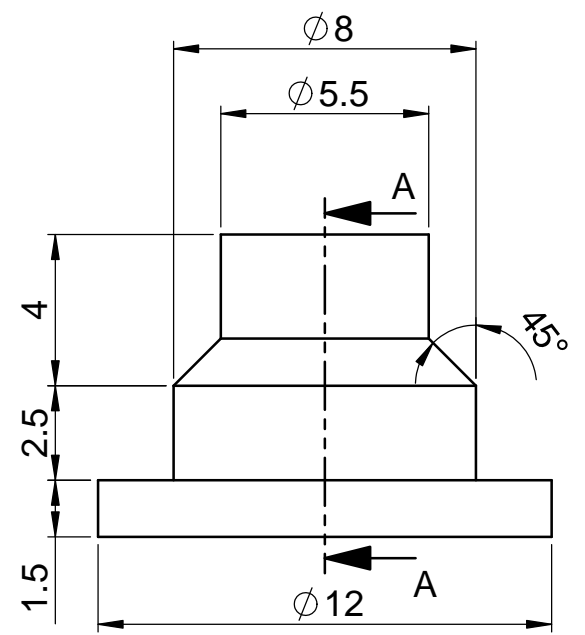


RESTRICTED

RESTRICTED

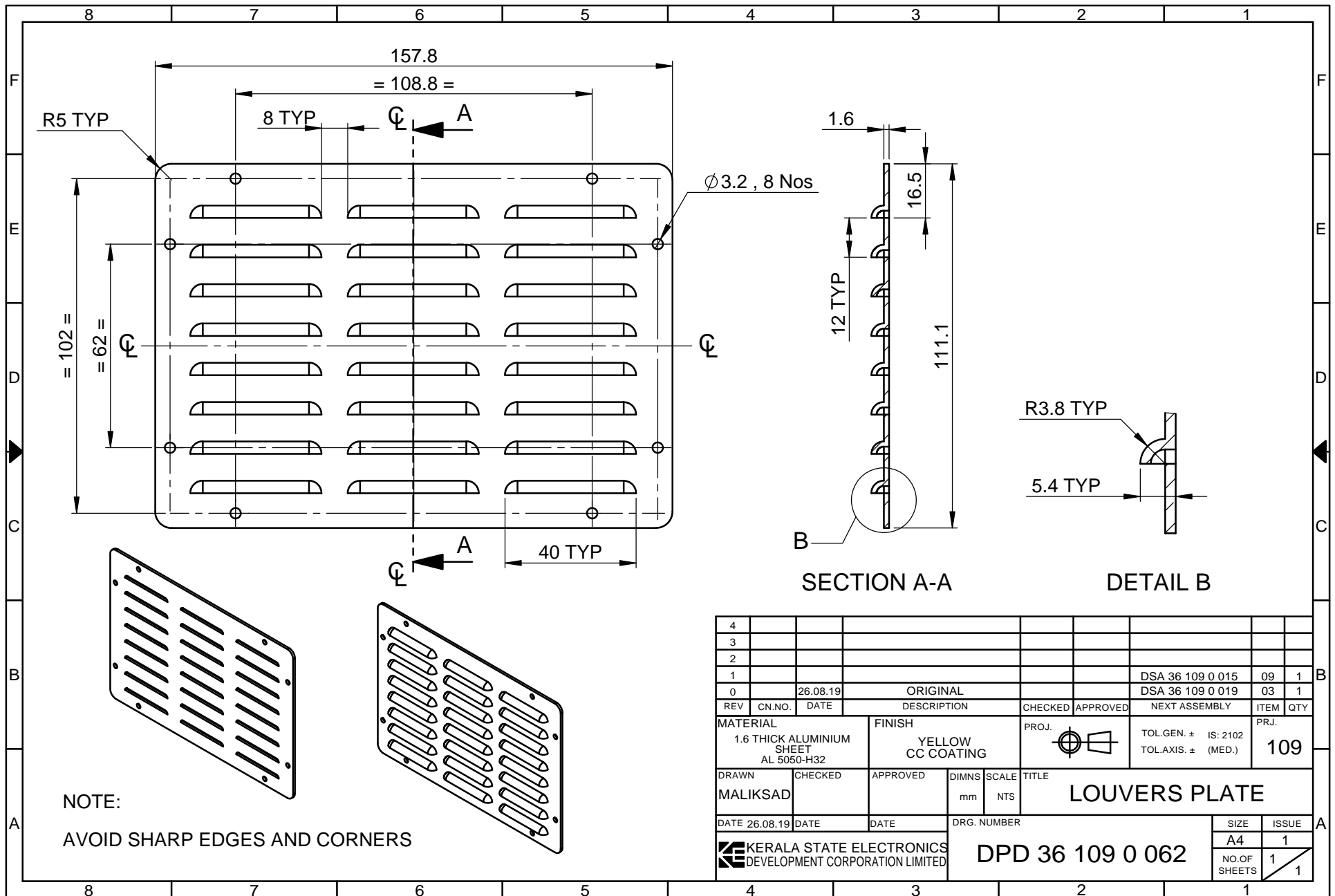


4									
3									
2									
1									
0		13.11.19	ORIGINAL			-	-	-	
REV	CN.NO.	DATE	DESCRIPTION	CHECKED	APPROVED	NEXT ASSEMBLY	ITEM	QTY	
MATERIAL			FINISH	PROJ.		TOL.GEN. \pm IS: 2102		PRJ.	
SS-316			-			TOL.AXIS. \pm (MED.)		109	
DRAWN	CHECKED	APPROVED	DIMNS	SCALE	TITLE				
MALIKSAD	MANJULAL	VK	mm	NTS	LOCKING LEVER BUSH				
DATE 13.11.19	DATE	DATE	DRG. NUMBER			SIZE	ISSUE		
			DPD 36 109 0 277			A4	1		
						NO.OF SHEETS	1		

Technical drawing grid with dimensions 8, 7, 6, 5, 4, 3, 2, 1 and letters A, B, C, D, E, F.

RESTRICTED

RESTRICTED



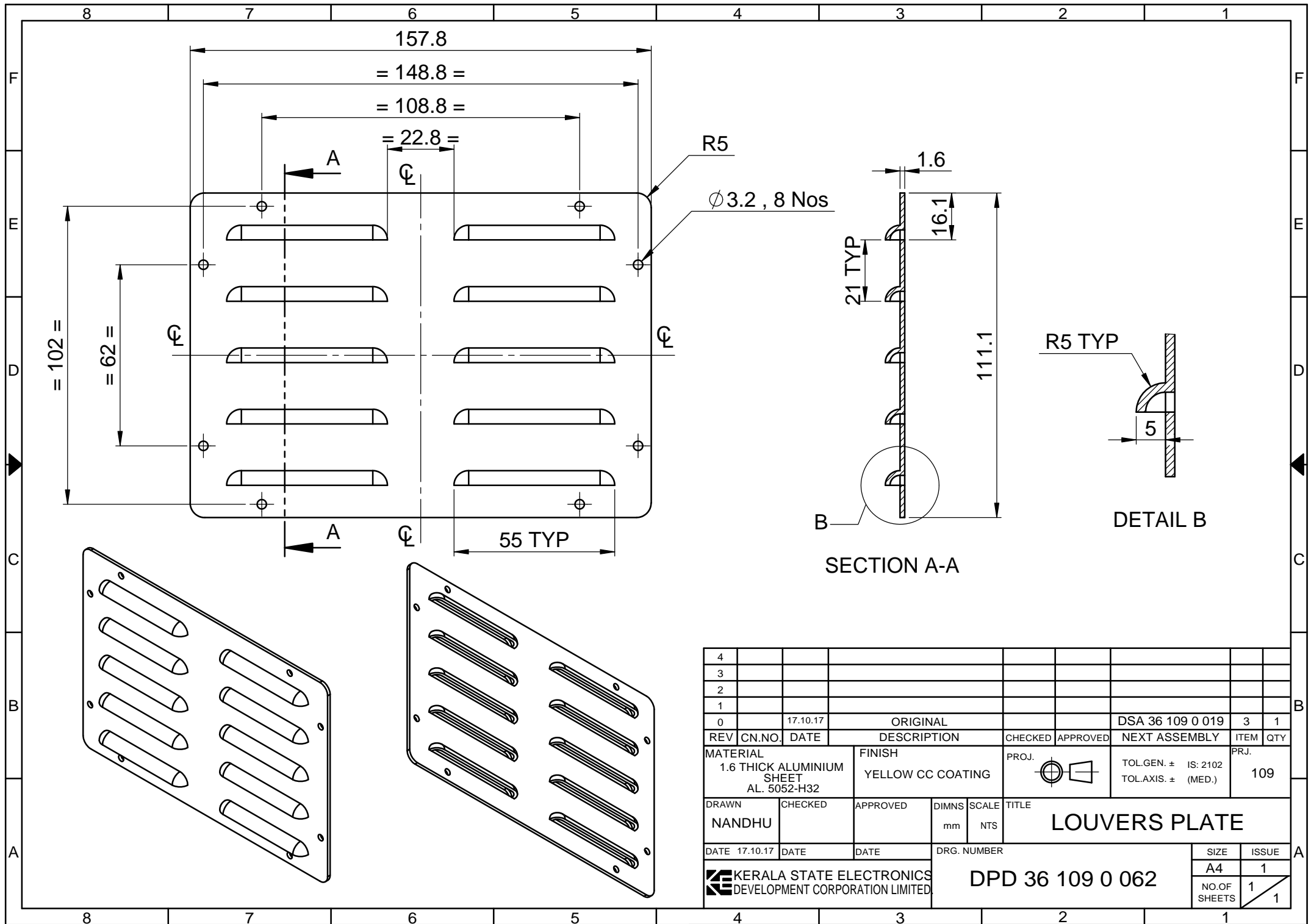
NOTE:

AVOID SHARP EDGES AND CORNERS

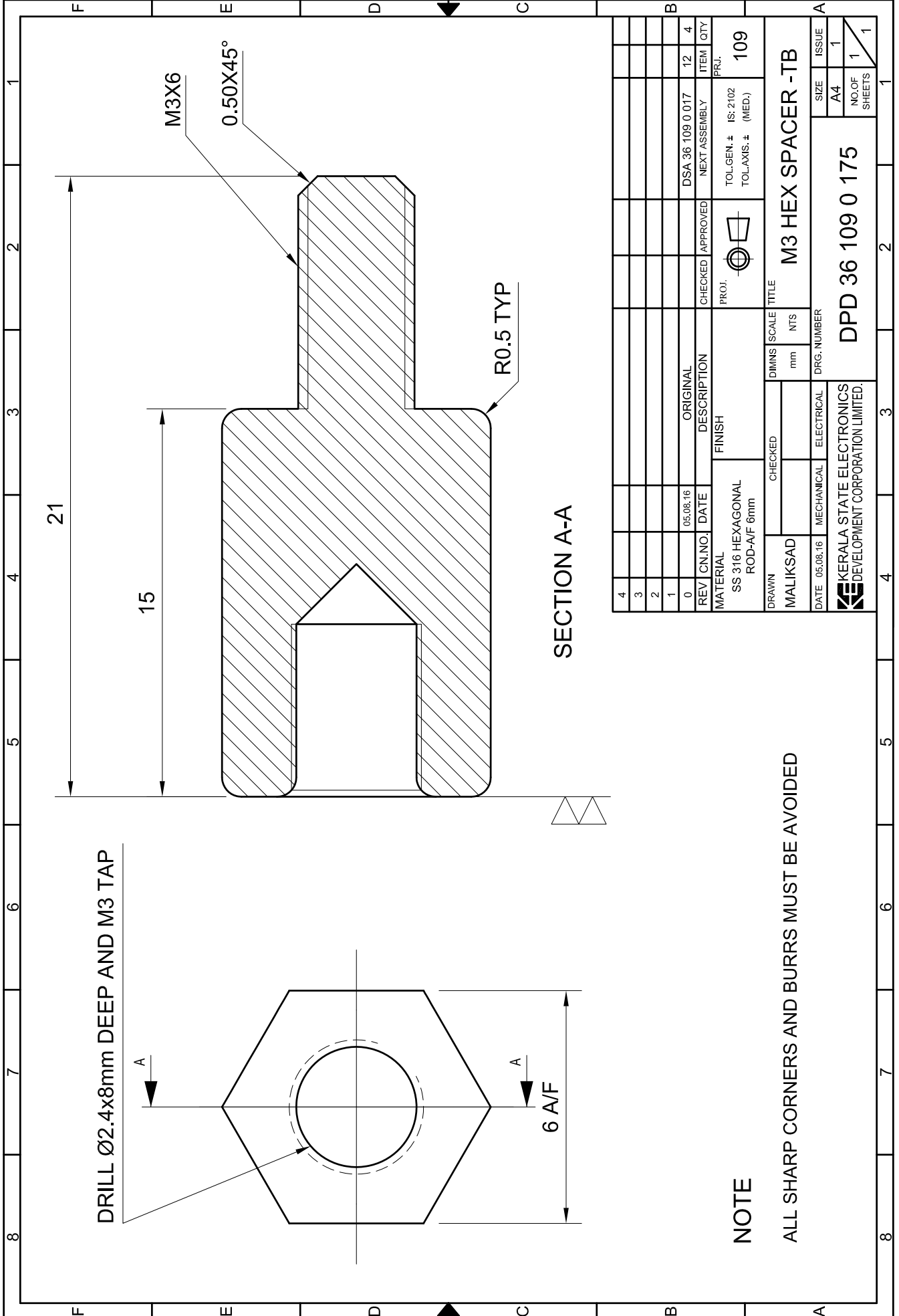
4													
3													
2													
1													
0		26.08.19		ORIGINAL						DSA 36 109 0 015	09	1	
REV	CN.NO.	DATE		DESCRIPTION	CHECKED	APPROVED				DSA 36 109 0 019	03	1	
MATERIAL				FINISH		PROJ.		TOL.GEN. ± IS: 2102		PRJ.			
1.6 THICK ALUMINIUM SHEET AL 5050-H32				YELLOW CC COATING				TOL.AXIS. ± (MED.)		109			
DRAWN		CHECKED		APPROVED		DIMNS		SCALE		TITLE			
MALIKSAD						mm		NTS		LOUVERS PLATE			
DATE 26.08.19		DATE		DATE		DRG. NUMBER				SIZE		ISSUE	
						DPD 36 109 0 062				A4		1	
										NO.OF SHEETS		1	
												1	

KERALA STATE ELECTRONICS DEVELOPMENT CORPORATION LIMITED

DPD 36 109 0 062



4													
3													
2													
1													
0		17.10.17		ORIGINAL				DSA 36 109 0 019	3	1			
REV	CN.NO.	DATE	DESCRIPTION		CHECKED	APPROVED	NEXT ASSEMBLY	PRJ.	ITEM	QTY			
			MATERIAL 1.6 THICK ALUMINIUM SHEET AL. 5052-H32				FINISH YELLOW CC COATING	PROJ. 	TOL.GEN. ± IS: 2102 TOL.AXIS. ± (MED.)	109			
DRAWN NANDHU		CHECKED		APPROVED		DIMNS mm	SCALE NTS	TITLE LOUVERS PLATE					
DATE 17.10.17		DATE		DATE		DRG. NUMBER		SIZE A4		ISSUE 1			
KERALA STATE ELECTRONICS DEVELOPMENT CORPORATION LIMITED							DPD 36 109 0 062		NO.OF SHEETS 1		1		



NOTE

ALL SHARP CORNERS AND BURRS MUST BE AVOIDED

4														
3														
2														
1														
0	05.08.16				ORIGINAL				DSA 36 109 0 017	12	4			
	REV	DN	NO.	DATE	DESCRIPTION	CHECKED	APPROVED		NEXT ASSEMBLY	ITEM	QTY			
MATERIAL		FINISH		PROJ.		TOL.GEN.#		TOL.AXIS.#		PRJ.				
SS 316 HEXAGONAL ROD-A/F 6mm						IS: 2102		(MED.)		109				
DRAWN			CHECKED			DIMNS			SCALE			TITLE		
MALIKSAD						mm			NTS			M3 HEX SPACER -TB		
DATE			MECHANICAL			ELECTRICAL			DRG. NUMBER			SIZE		
05.08.16												A4		
KERALA STATE ELECTRONICS DEVELOPMENT CORPORATION LIMITED.										DPD 36 109 0 175			NO. OF SHEETS	
													1 / 1	

4

3

2

1

F

F

E

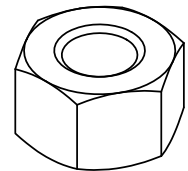
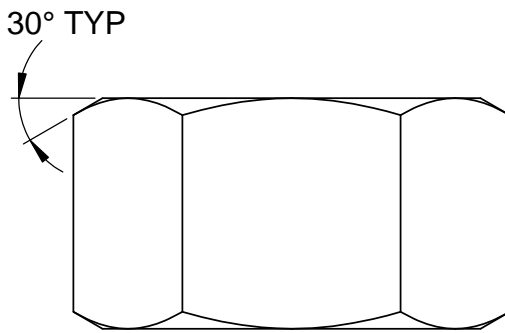
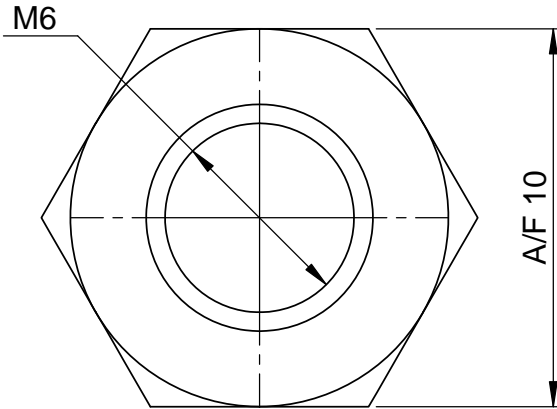
E

D

D

C

C



NOTE:
AVOID SHARP EDGES AND CORNERS

4									
3									
2									
1									
0		19.08.17	ORIGINAL					DSA 36 109 0 016	4 3
REV	CN.NO.	DATE	DESCRIPTION			CHECKED	APPROVED	NEXT ASSEMBLY	ITEM QTY
MATERIAL			FINISH			PROJ.		PRJ.	
BRASS			-					TOL.GEN. ± IS:2102 TOL.AXIS. ± (MED)	
DRAWN		CHECKED	APPROVED	DIMNS	SCALE	TITLE			
MALIKSAD				mm	NTS	M6 EARTH STUD NUT-BRASS			
DATE 19.08.17		DATE	DATE	DRG. NUMBER				SIZE	ISSUE
				DPD 36 109 0 116				A4	1
KERALA STATE ELECTRONICS DEVELOPMENT CORPORATION LIMITED							NO.OF SHEETS	1	
								1	

4

3

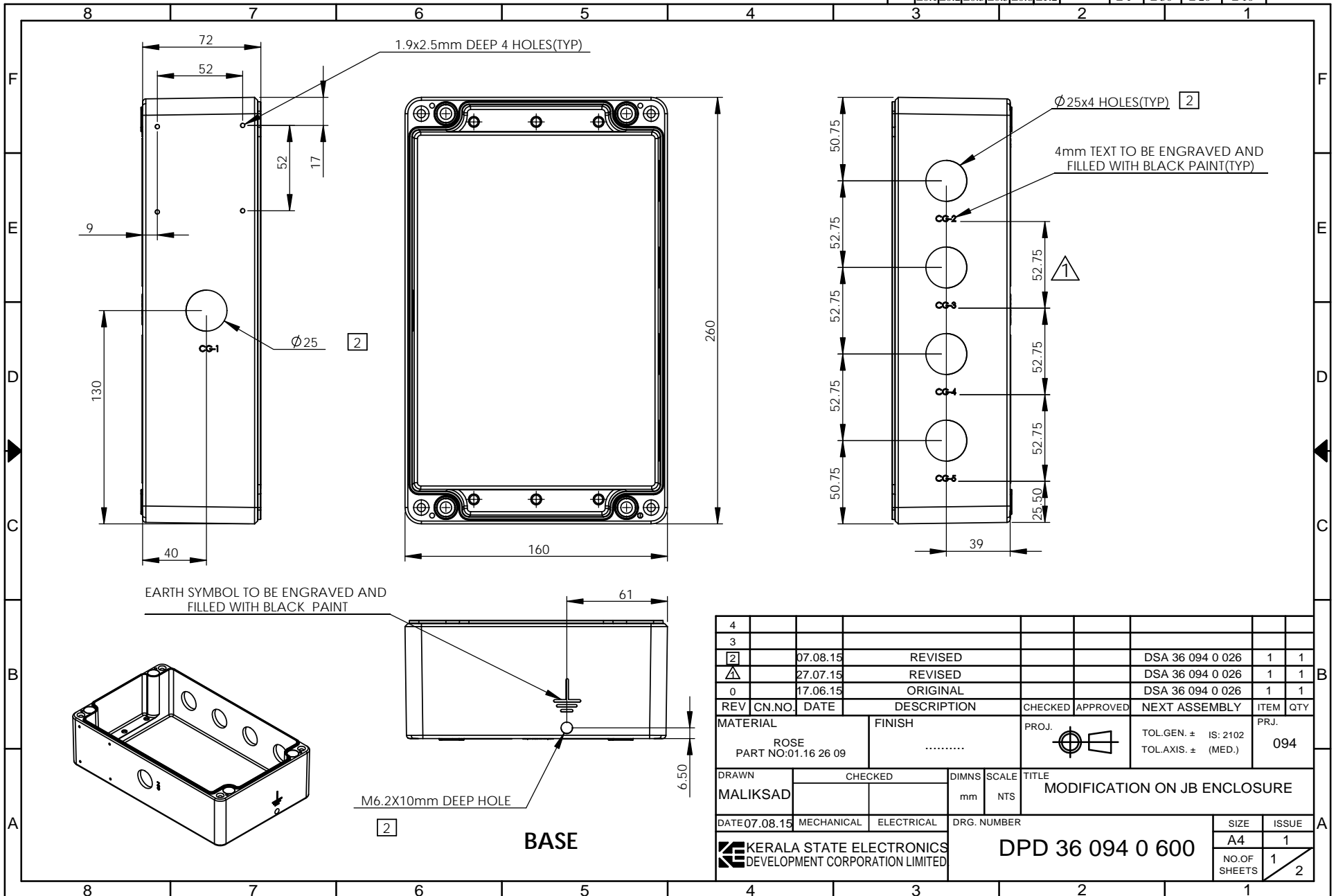
2

1

A

A

DEVIATION FOR NON - TOLERANCED DIMENSIONS (IS : 2102 - MEDIUM)											
ABOVE	0.5	6	30	120	315	1000	LENGTH IN mm OF SHORTER SIDE OF ANGLE				
UP TO	6	30	120	315	1000	2000	ABOVE & UP TO	0.5 - 6	6 - 30	30 - 120	20 - 400
TOL.	±0.1	±0.2	±0.3	±0.5	±0.8	±1.2	TOL.	± 1°	± 30'	± 20'	± 10'



RESTRICTED

RESTRICTED

XX

4												
3												
2	07.08.15		REVISED					DSA 36 094 0 026	1	1		
1	27.07.15		REVISED					DSA 36 094 0 026	1	1		
0	17.06.15		ORIGINAL					DSA 36 094 0 026	1	1		
REV	CN.NO.	DATE	DESCRIPTION	CHECKED	APPROVED	NEXT ASSEMBLY	ITEM	QTY				
MATERIAL			FINISH		PROJ.		TOL.GEN. ± IS: 2102		PRJ.			
ROSE						TOL.AXIS. ± (MED.)		094			
DRAWN		CHECKED		DIMNS	SCALE	TITLE						
MALIKSAD				mm	NTS	MODIFICATION ON JB ENCLOSURE						
DATE		MECHANICAL	ELECTRICAL	DRG. NUMBER								
07.08.15												
								DPD 36 094 0 600				
								SIZE	ISSUE			
								A4	1			
								NO.OF SHEETS	1			
									2			

RESTRICTED

A	KERALA STATE ELECTRONICS DEVELOPMENT CORPORATION LIMITED.		DPD 36 109 0 163		NO.OF SHEETS 1 / 1		
	DATE 03.05.17		DRG. NUMBER		SIZE A4		
	DATE		DATE		ISSUE 1		
A	DRAWN MALIKSAD		APPROVED	NTS	NYLON SPACER 2.5mm		
	CHECKED	DIMNS mm	SCALE	TITLE			
B	MATERIAL NYLON		FINISH -		PROJ.		
	REV. 0		DESCRIPTION ORIGINAL		TOL.GEN. # IS:2102		
	CN.NO. 03.05.17		DATE		TOL.AXIS. # (MED)		
B	1				109	PRJ.	
B	2						
B	3						
B	4						
C	NOTE: AVOID SHARP EDGES AND CORNERS						
D							
E							

RESTRICTED

1		2		3		4	
NO. OF SHEETS 1		DPD 36 109 0 164		KERALA STATE ELECTRONICS DEVELOPMENT CORPORATION LIMITED.		DATE 03.05.17	
A4		DRG. NUMBER		DATE		DATE	
ISSUE 1		NYLON SPACER 2mm		MATERIAL NYLON		DRAWN MALIKSAD	
SIZE		TITLE		DIMNS mm		CHECKED	
1		NTS		APPROVED		APPROVED	
109		PROJ. 		FINISH -		REV 0	
TOL. GEN. ± IS:2102		TOL. AXIS. ± (MED)		DESCRIPTION ORIGINAL		CN. NO. 03.05.17	
NEXT ASSEMBLY		CHECKED		DATE		REV 1	
DSA 36 109 1 102		APPROVED				REV 2	
ITEM QTY		APPROVED				REV 3	
26 2		APPROVED				REV 4	
		APPROVED					
		APPROVED					
		APPROVED					
		APPROVED					

NOTE: AVOID SHARP EDGES AND CORNERS

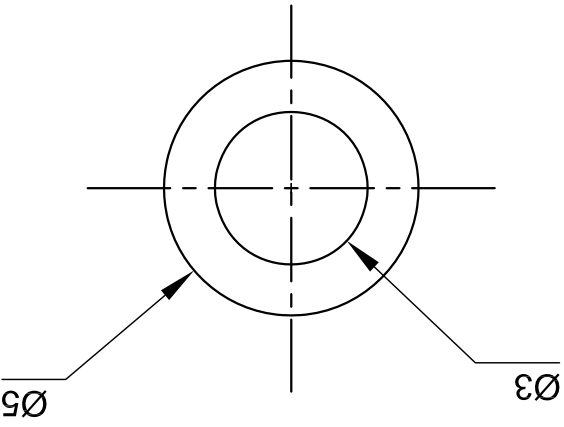
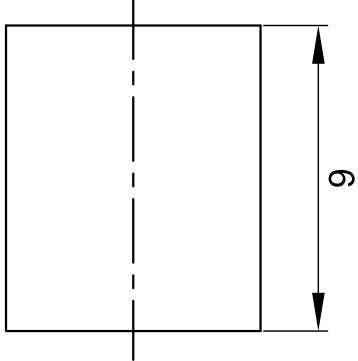
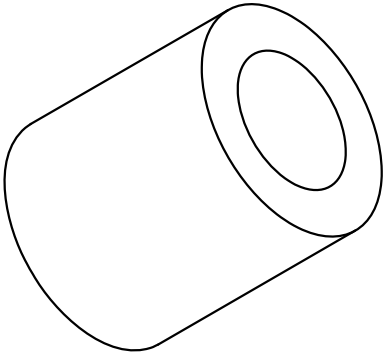
NO. OF SHEETS 1		DPD 36 109 0 165		KERALA STATE ELECTRONICS DEVELOPMENT CORPORATION LIMITED.	
A4		DRG. NUMBER		DATE	DATE
ISSUE		NYLON SPACER 4mm		MALIKSAD	
109		NYLON		DRAWN	
PRJ.		FINISH		CHECKED	
TOL. GEN. # IS:2102		PROJ.		APPROVED	
TOL. AXIS. # (MED)		SCALE		DIMNS	
NEXT ASSEMBLY		DESCRIPTION		DATE	
46		ORIGINAL		03.05.17	
4		CHECKED		REV	
4		APPROVED		CN. NO.	
4		APPROVED		DATE	
4		APPROVED		REV	
4		APPROVED		CN. NO.	
4		APPROVED		DATE	
4		APPROVED		REV	

NOTE: AVOID SHARP EDGES AND CORNERS

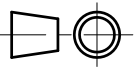
1	2		3		4	
1	1	1	1	1	1	1
NO. OF SHEETS	A4	SIZE	ISSUE	DATE	DATE	DATE
1	1	1	1	03.05.17	03.05.17	03.05.17
DPD 36 109 0 168	DRG. NUMBER	DATE	DATE	DATE	DATE	DATE
MALIKSAD	DRAWN	CHECKED	APPROVED	DIMMS	SCALE	TITLE
NYLON SPACER 5mm	NTS	mm	NTS	NTS	NTS	NTS
NYLON	MATERIAL	FINISH	-	PROJ.	TOL. GEN. ± IS:2102	TOL. AXIS. ± (MED)
109	PRJ.	109	109	109	109	109
REV	CN. NO.	DATE	DESCRIPTION	CHECKED	APPROVED	NEXT ASSEMBLY
0	03.05.17	ORIGINAL	DSA 36 109 0 107	12	4	4
1						
2						
3						
4						
NOTE:	AVOID SHARP EDGES AND CORNERS					
5	5					
Ø5	Ø3					
1	2		3		4	

NO. OF SHEETS 1 / 1		DPD 36 109 0 183		KERALA STATE ELECTRONICS DEVELOPMENT CORPORATION LIMITED.	
SIZE A4		DRG. NUMBER		DATE 03.05.17	
ISSUE 1		TITLE NYLON SPACER 6mm		DRAWN MALIKSAD	
PRJ. 109		PROJ. 		MATERIAL NYLON	
TOL. GEN. # IS:2102		CHECKED		FINISH -	
TOL. AXIS. # (MED)		APPROVED		DESCRIPTION	
NEXT ASSEMBLY		APPROVED		DATE	
ITEM QTY		APPROVED		CN. NO.	
26 4		APPROVED		03.05.17	
DSA 36 109 0 103		APPROVED		REV	
		APPROVED		0	
		APPROVED		1	
		APPROVED		2	
		APPROVED		3	
		APPROVED		4	

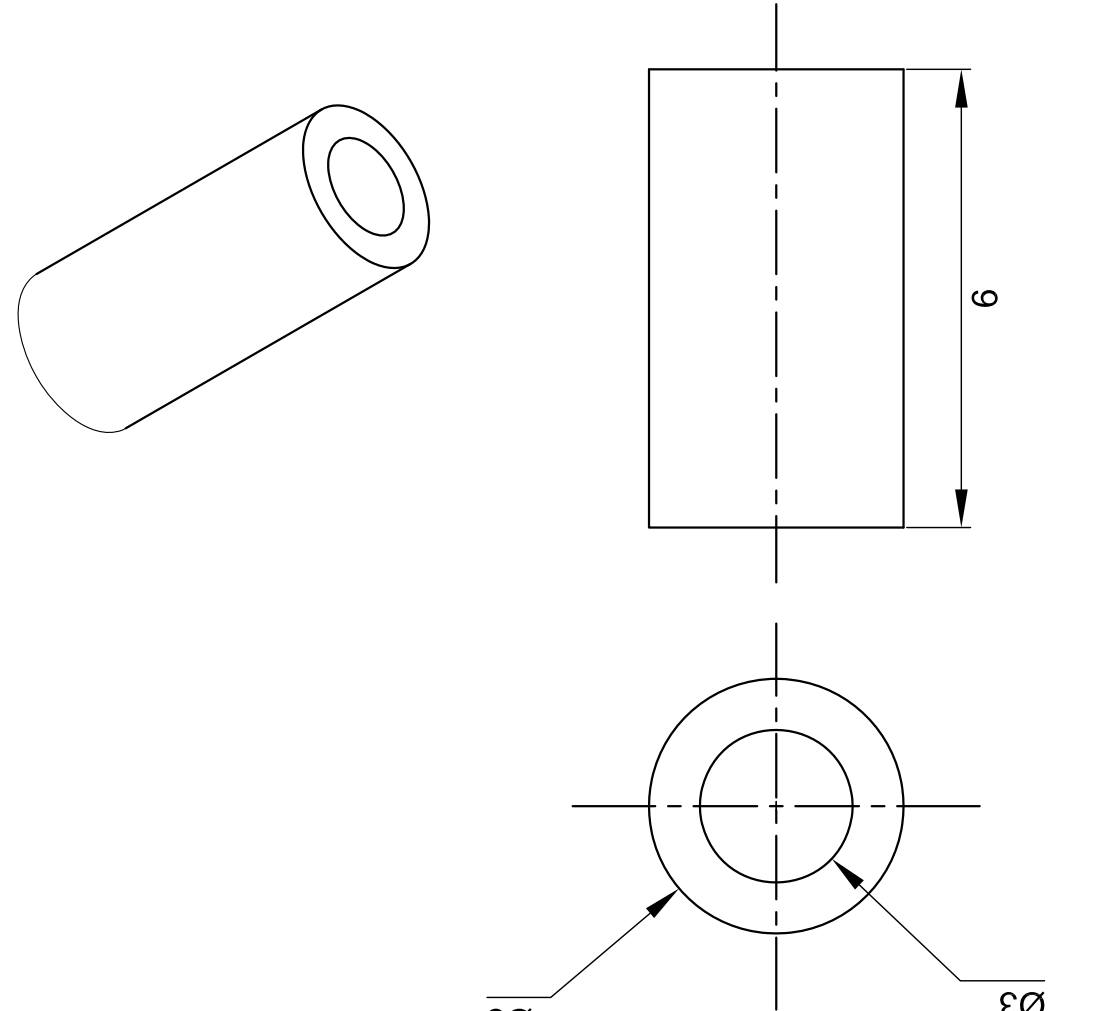
NOTE: AVOID SHARP EDGES AND CORNERS



RESTRICTED

NO. OF SHEETS 1 / 1		DPD 36 109 0 186		KERALA STATE ELECTRONICS DEVELOPMENT CORPORATION LIMITED.	
SIZE A4		DRG. NUMBER		DATE 03.05.17	
ISSUE 1		TITLE NYLON SPACER 9mm		DRAWN MALIKSAD	
PRJ. 109		PROJ. 		MATERIAL NYLON	
TOL. GEN. # IS:2102		FINISH -		REV 0	
TOL. AXIS. # (MED)		CHECKED		CN. NO. 03.05.17	
NEXT ASSEMBLY		APPROVED		DATE	
ITEM QTY		APPROVED		DESCRIPTION	
28 / 4		APPROVED		ORIGINAL	
DSA 36 109 0 103		APPROVED		DATE	
		APPROVED		REV	
		APPROVED		1	
		APPROVED		2	
		APPROVED		3	
		APPROVED		4	

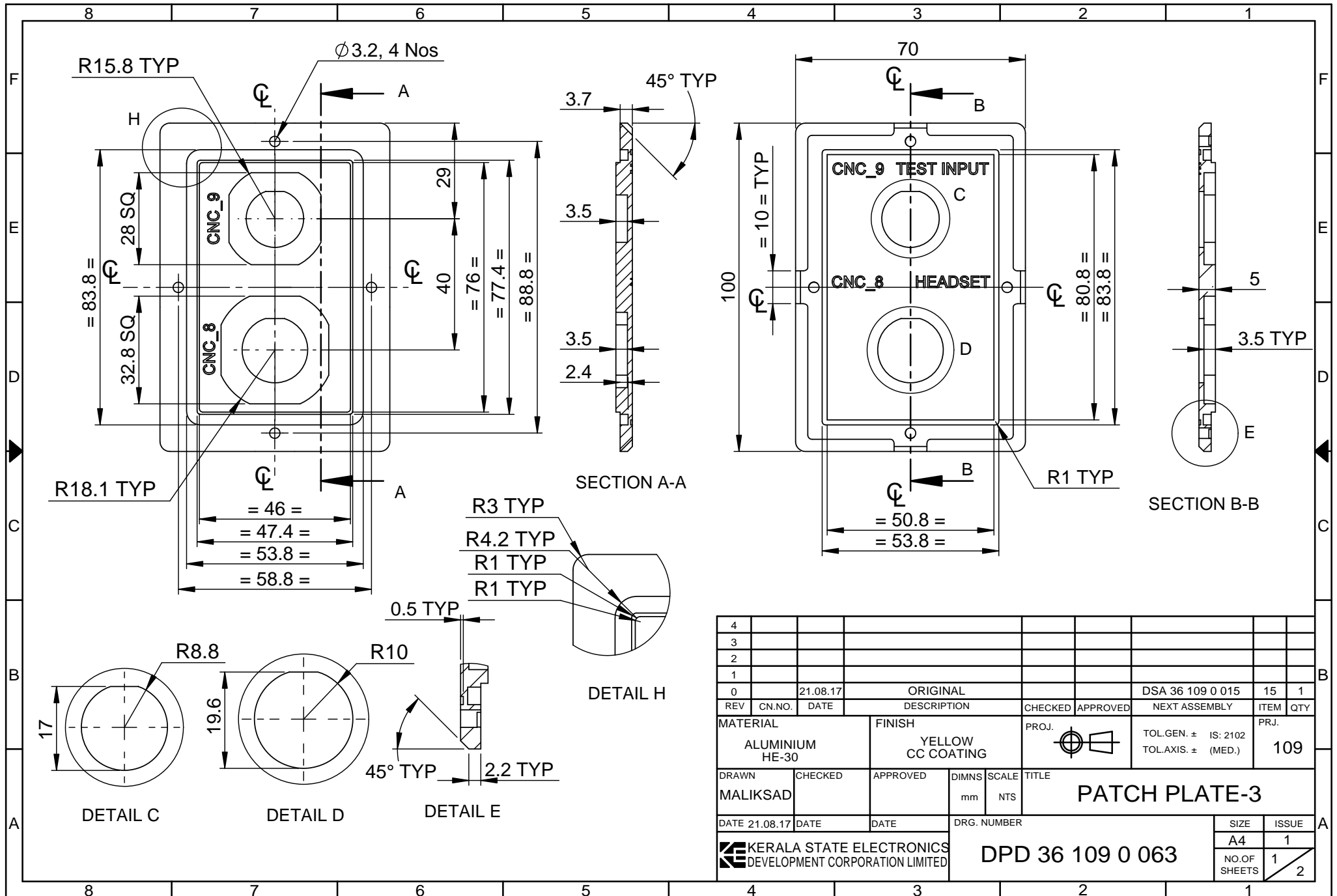
NOTE: AVOID SHARP EDGES AND CORNERS



RESTRICTED

RESTRICTED

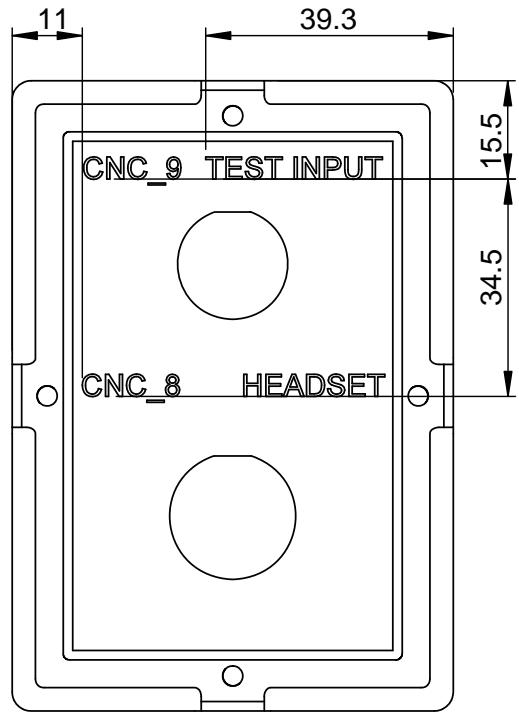
RESTRICTED



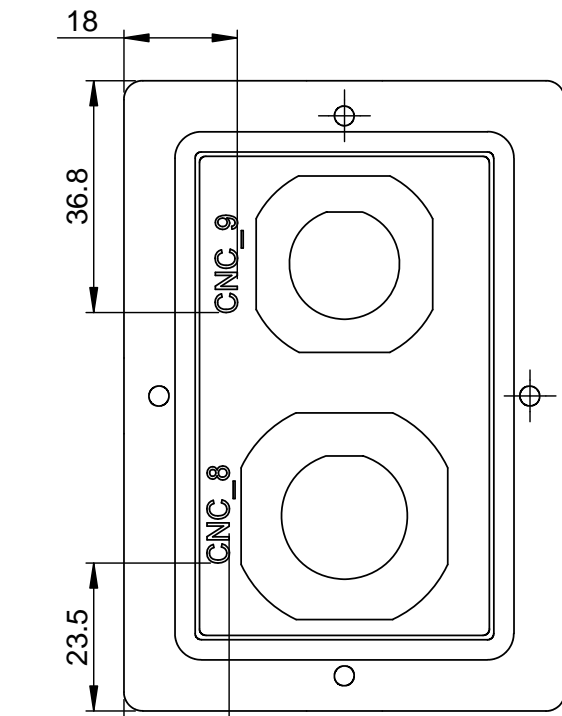
4									
3									
2									
1									
0	21.08.17		ORIGINAL			DSA 36 109 0 015	15	1	
REV	CN.NO.	DATE	DESCRIPTION	CHECKED	APPROVED	NEXT ASSEMBLY	ITEM	QTY	
MATERIAL			FINISH		PROJ.	TOL.GEN. ± IS: 2102		PRJ.	
ALUMINIUM HE-30			YELLOW CC COATING			TOL.AXIS. ± (MED.)		109	
DRAWN	CHECKED	APPROVED	DIMNS	SCALE	TITLE				
MALIKSAD			mm	NTS	PATCH PLATE-3				
DATE	DATE	DATE	DRG. NUMBER			SIZE	ISSUE		
21.08.17			DPD 36 109 0 063			A4	1		
						NO.OF SHEETS		2	
						1		1	

RESTRICTED

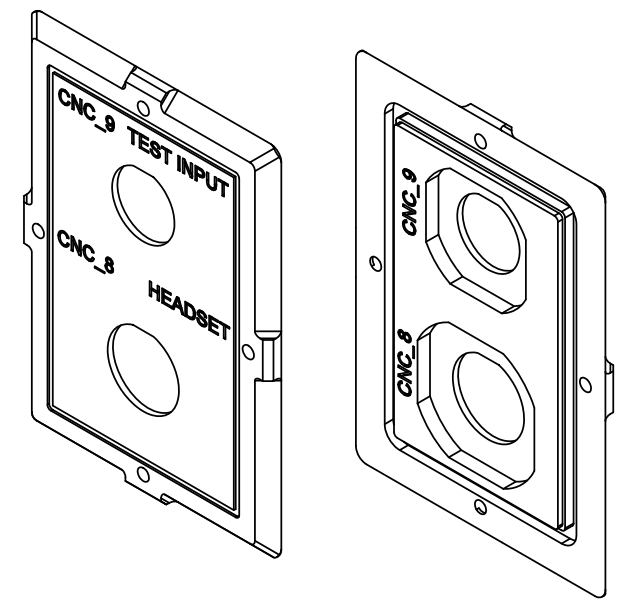
RESTRICTED



FRONT VIEW



REAR VIEW



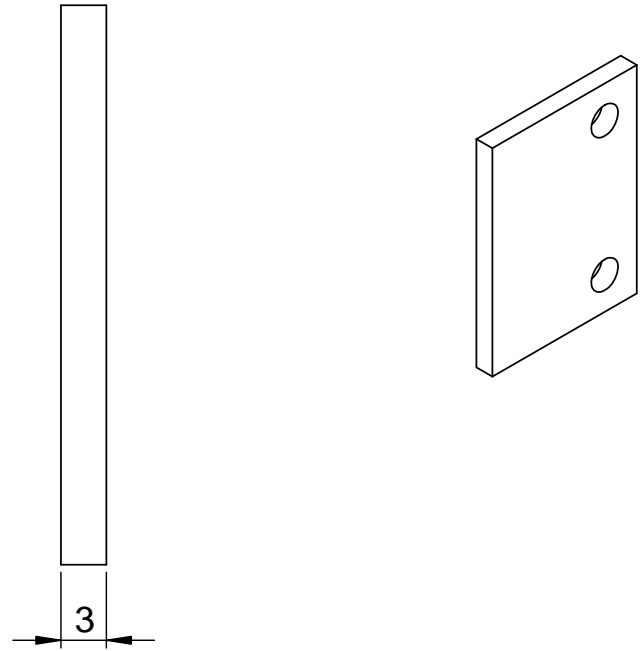
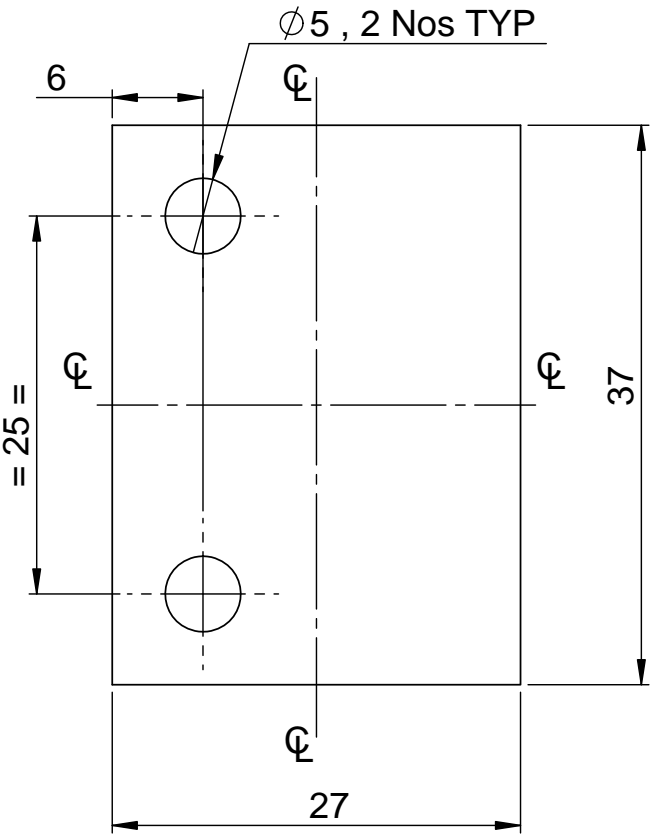
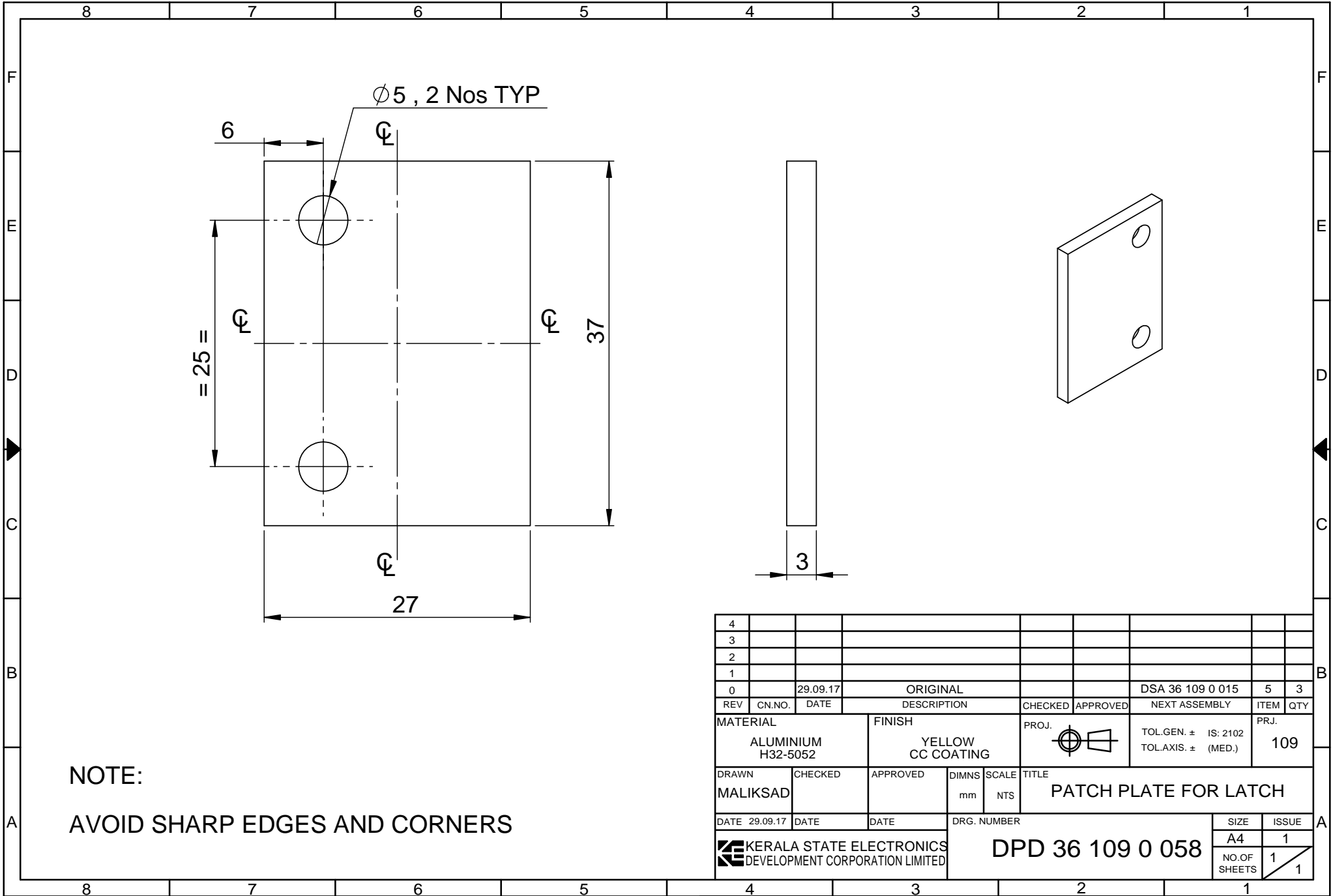
NOTE:

1. AVOID SHARP EDGES AND CORNERS
2. 3.5 mm HEIGHT TEXT TO BE ENGRAVED AND FILLED WITH BLACK PAINT

4									
3									
2									
1									
0	28.08.17		ORIGINAL			DSA 36 109 0 015	15	1	
REV	CN.NO.	DATE	DESCRIPTION	CHECKED	APPROVED	NEXT ASSEMBLY	ITEM	QTY	
MATERIAL			FINISH		PROJ.	TOL.GEN. ± IS: 2102		PRJ.	
ALUMINIUM HE-30			YELLOW CC COATING			TOL.AXIS. ± (MED.)		109	
DRAWN	CHECKED	APPROVED	DIMNS	SCALE	TITLE				
MALIKSAD			mm	NTS	PATCH PLATE-3				
DATE 28.08.17	DATE	DATE	DRG. NUMBER			SIZE	ISSUE		
			KERALA STATE ELECTRONICS DEVELOPMENT CORPORATION LIMITED			DPD 36 109 0 063	A4	1	
							NO.OF SHEETS	2	

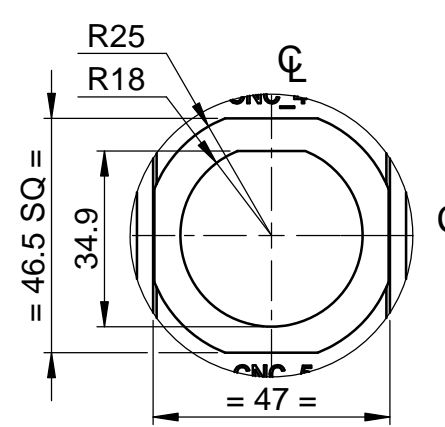
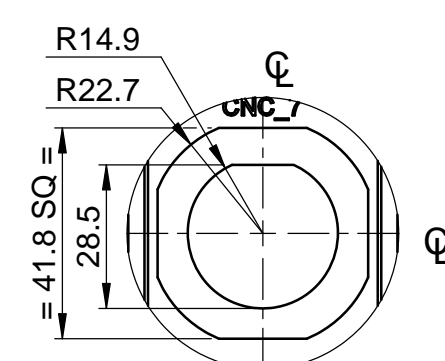
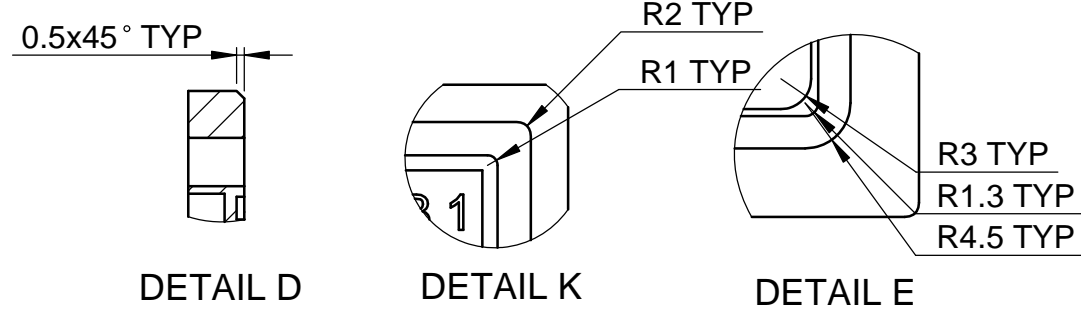
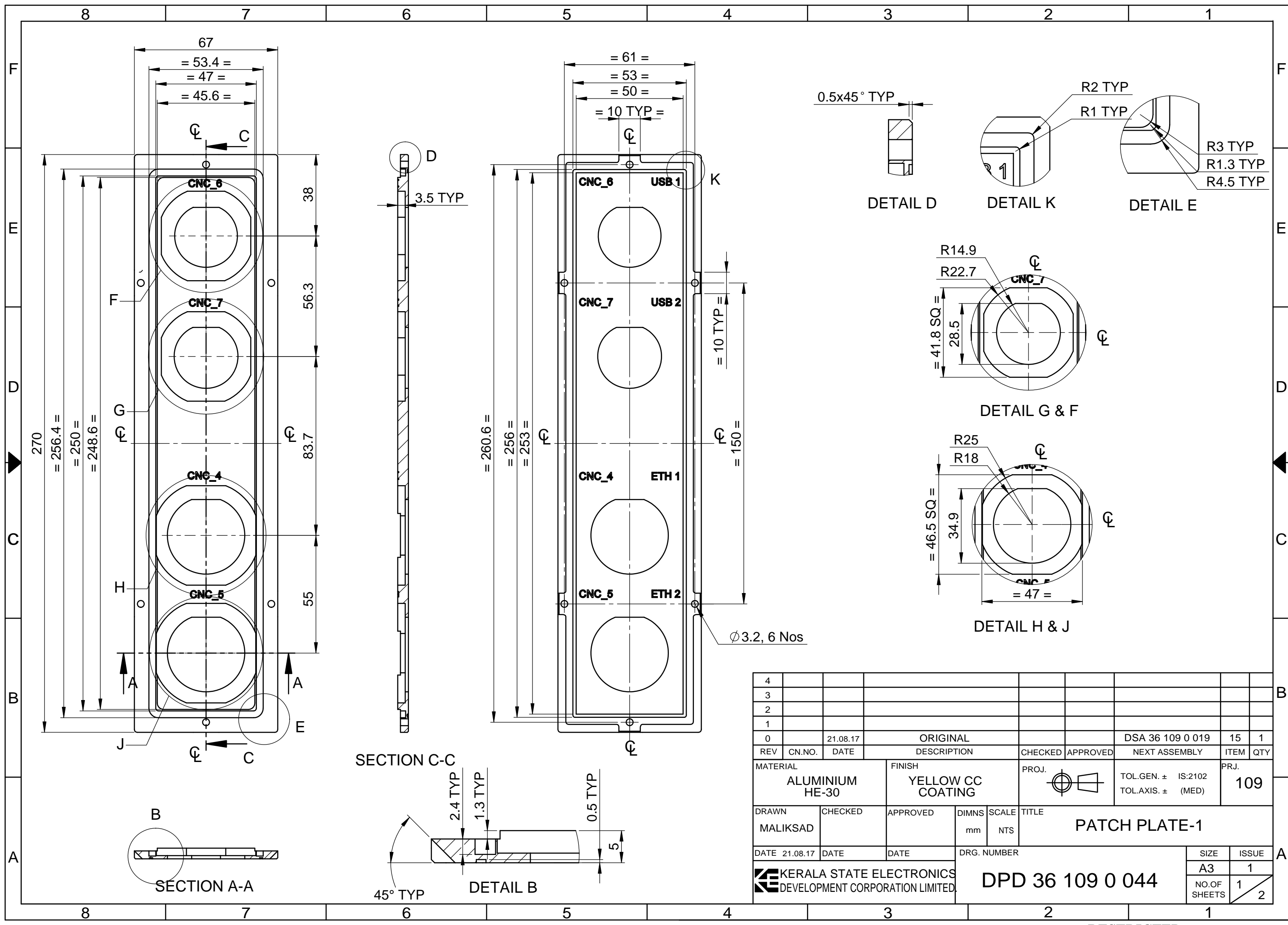
RESTRICTED

RESTRICTED

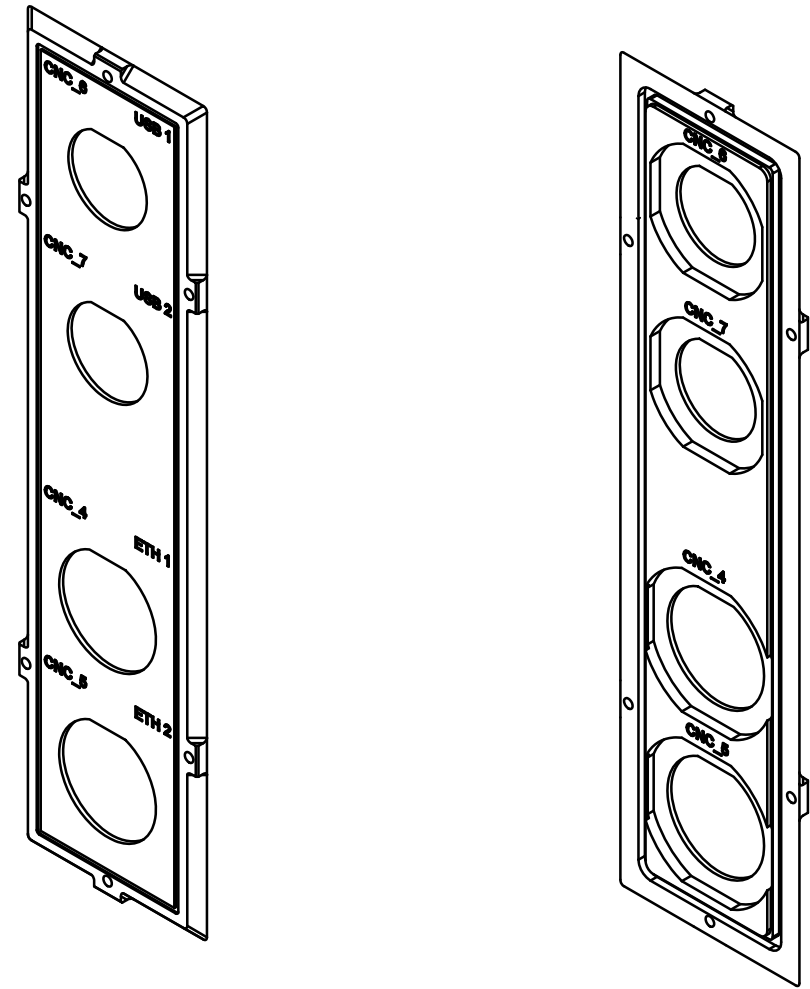
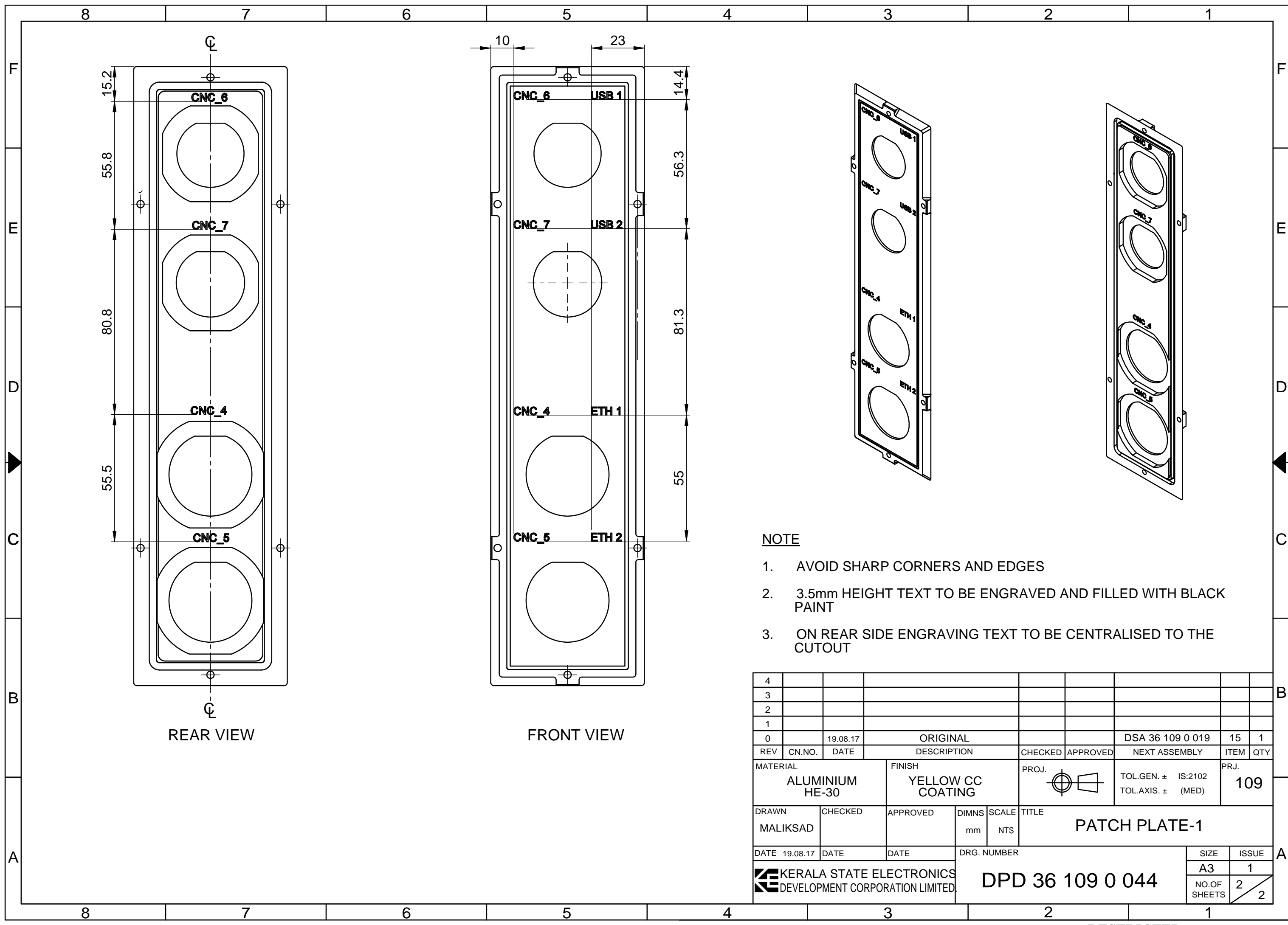


NOTE:
AVOID SHARP EDGES AND CORNERS

4										
3										
2										
1										
0		29.09.17		ORIGINAL			DSA 36 109 0 015	5	3	
REV	CN.NO.	DATE	DESCRIPTION		CHECKED	APPROVED	NEXT ASSEMBLY	ITEM	QTY	
MATERIAL		FINISH		PROJ.	TOL.GEN. \pm IS: 2102		PRJ.			
ALUMINIUM H32-5052		YELLOW CC COATING			TOL.AXIS. \pm (MED.)		109			
DRAWN	CHECKED	APPROVED	DIMNS	SCALE	TITLE					
MALIKSAD			mm	NTS	PATCH PLATE FOR LATCH					
DATE	29.09.17	DATE	DATE	DRG. NUMBER			SIZE	ISSUE		
				DPD 36 109 0 058			A4	1		
							NO.OF SHEETS	1	1	

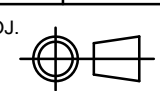


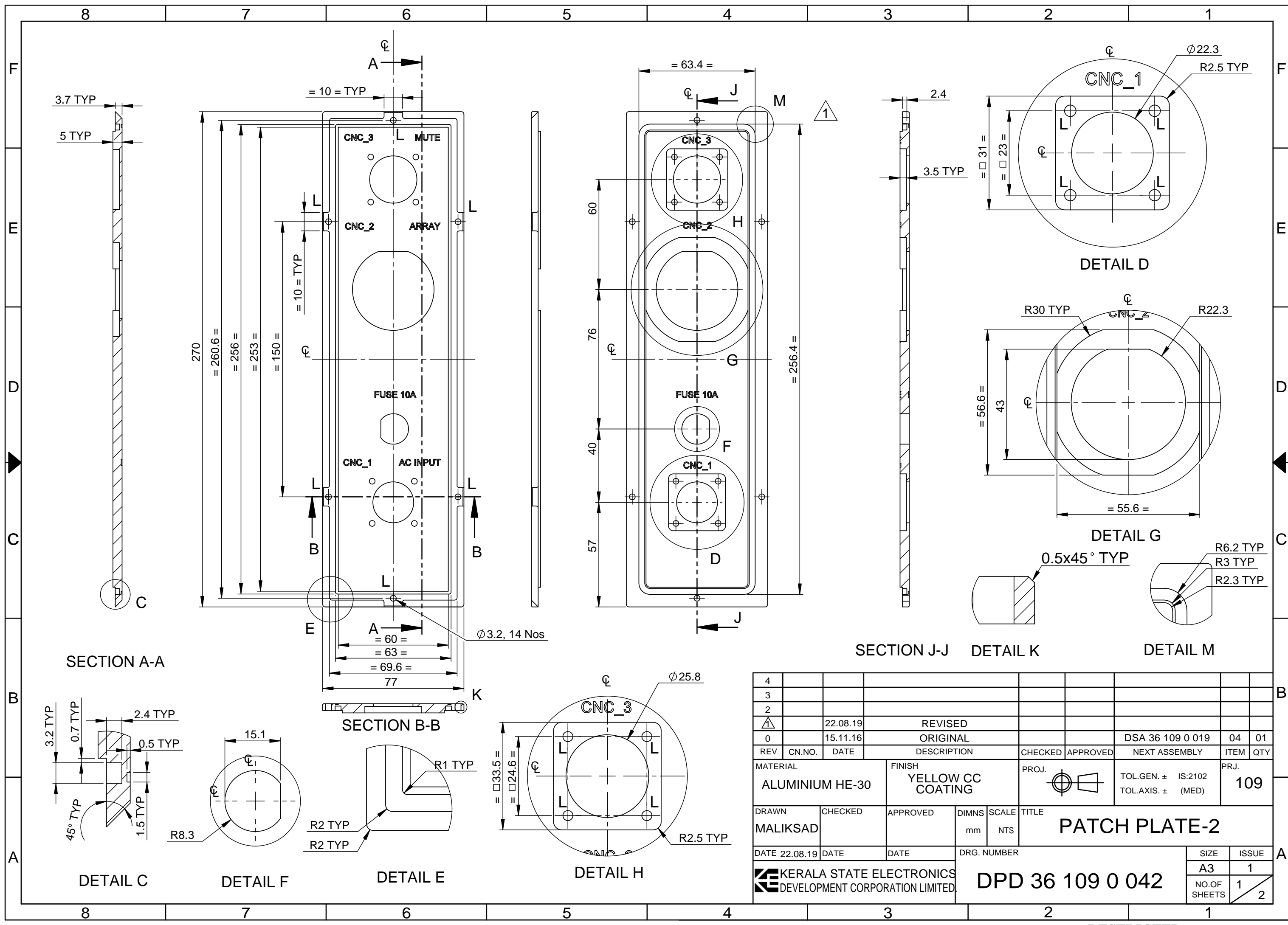
4									
3									
2									
1									
0	21.08.17	ORIGINAL			DSA 36 109 0 019	15	1		
REV	CN.NO.	DATE	DESCRIPTION	CHECKED	APPROVED	NEXT ASSEMBLY	ITEM	QTY	
MATERIAL		FINISH		PROJ.		TOL.GEN. ± IS:2102		PRJ.	
ALUMINIUM HE-30		YELLOW CC COATING				TOL.AXIS. ± (MED)		109	
DRAWN	CHECKED	APPROVED	DIMNS	SCALE	TITLE				
MALIKSAD			mm	NTS	PATCH PLATE-1				
DATE	21.08.17	DATE	DATE	DRG. NUMBER		SIZE		ISSUE	
KERALA STATE ELECTRONICS DEVELOPMENT CORPORATION LIMITED.				DPD 36 109 0 044		A3		1	
						NO.OF SHEETS		1	
								2	



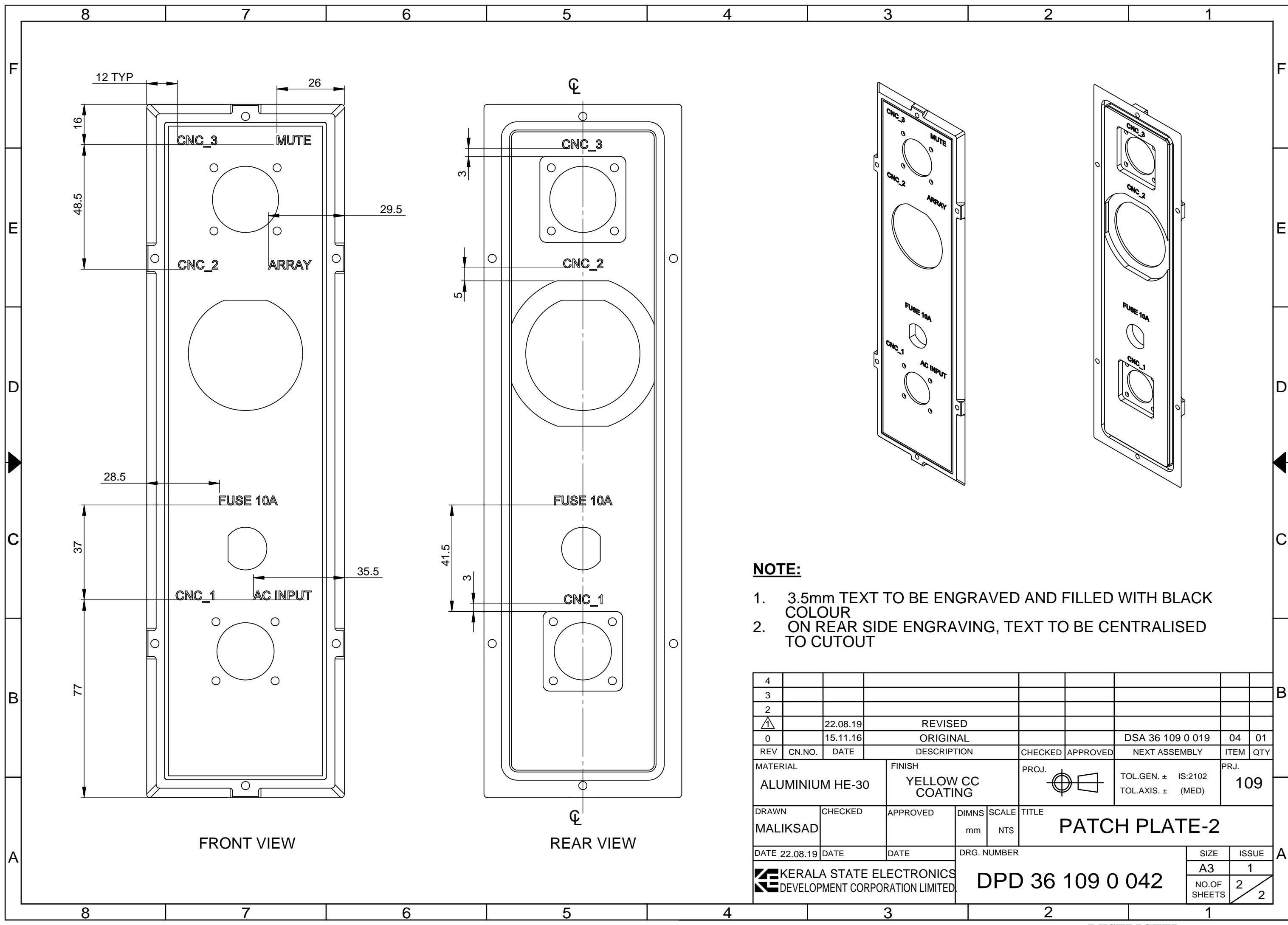
NOTE

1. AVOID SHARP CORNERS AND EDGES
2. 3.5mm HEIGHT TEXT TO BE ENGRAVED AND FILLED WITH BLACK PAINT
3. ON REAR SIDE ENGRAVING TEXT TO BE CENTRALISED TO THE CUTOUT

4										
3										
2										
1										
0	19.08.17		ORIGINAL					DSA 36 109 0 019	15	1
REV	CN.NO.	DATE	DESCRIPTION	CHECKED	APPROVED			NEXT ASSEMBLY	ITEM	QTY
MATERIAL			FINISH	PROJ.		TOL.GEN. ± IS:2102		PRJ.		
ALUMINIUM HE-30			YELLOW CC COATING			TOL.AXIS. ± (MED)		109		
DRAWN	CHECKED	APPROVED	DIMNS	SCALE	TITLE					
MALIKSAD			mm	NTS	PATCH PLATE-1					
DATE	19.08.17	DATE	DATE	DRG. NUMBER				SIZE	ISSUE	
				KERALA STATE ELECTRONICS DEVELOPMENT CORPORATION LIMITED.				DPD 36 109 0 044	A3	1
								NO.OF SHEETS	2	2

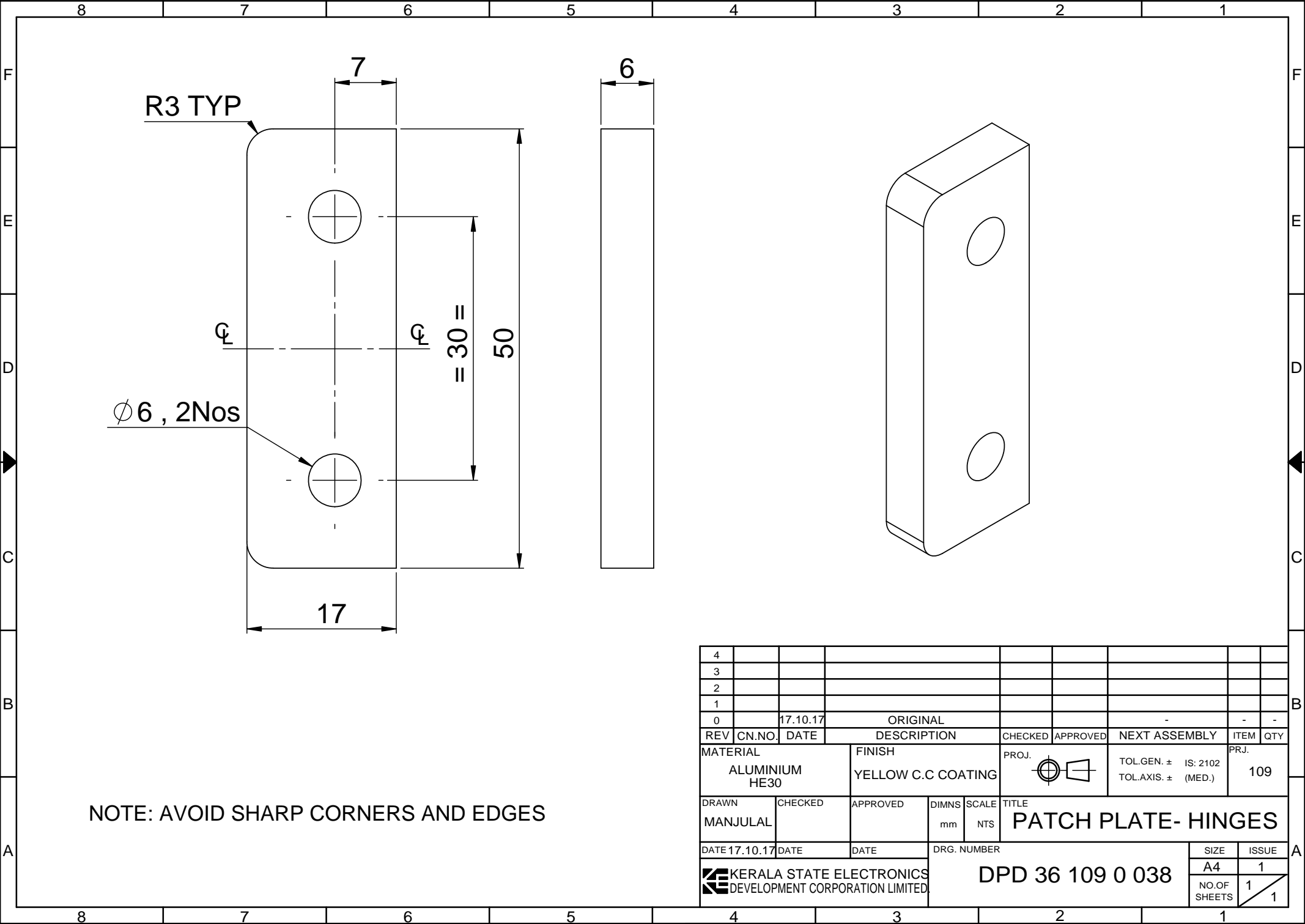


4													
3													
2													
1													
△		22.08.19		REVISED									
0		15.11.16		ORIGINAL									
REV	CN.NO.	DATE		DESCRIPTION	CHECKED	APPROVED		NEXT ASSEMBLY	ITEM	QTY			
MATERIAL		FINISH		PROJ.	TOL.GEN. ± IS:2102		PRJ.						
ALUMINIUM HE-30		YELLOW CC COATING		⊙	TOL.AXIS. ± (MED)		109						
DRAWN	CHECKED	APPROVED	DIMNS	SCALE	TITLE								
MALIKSAD			mm	NTS	PATCH PLATE-2								
DATE	DATE	DATE	DRG. NUMBER		SIZE				ISSUE				
22.08.19			DPD 36 109 0 042		A3				1				
KERALA STATE ELECTRONICS DEVELOPMENT CORPORATION LIMITED.					NO.OF SHEETS				1				
									2				



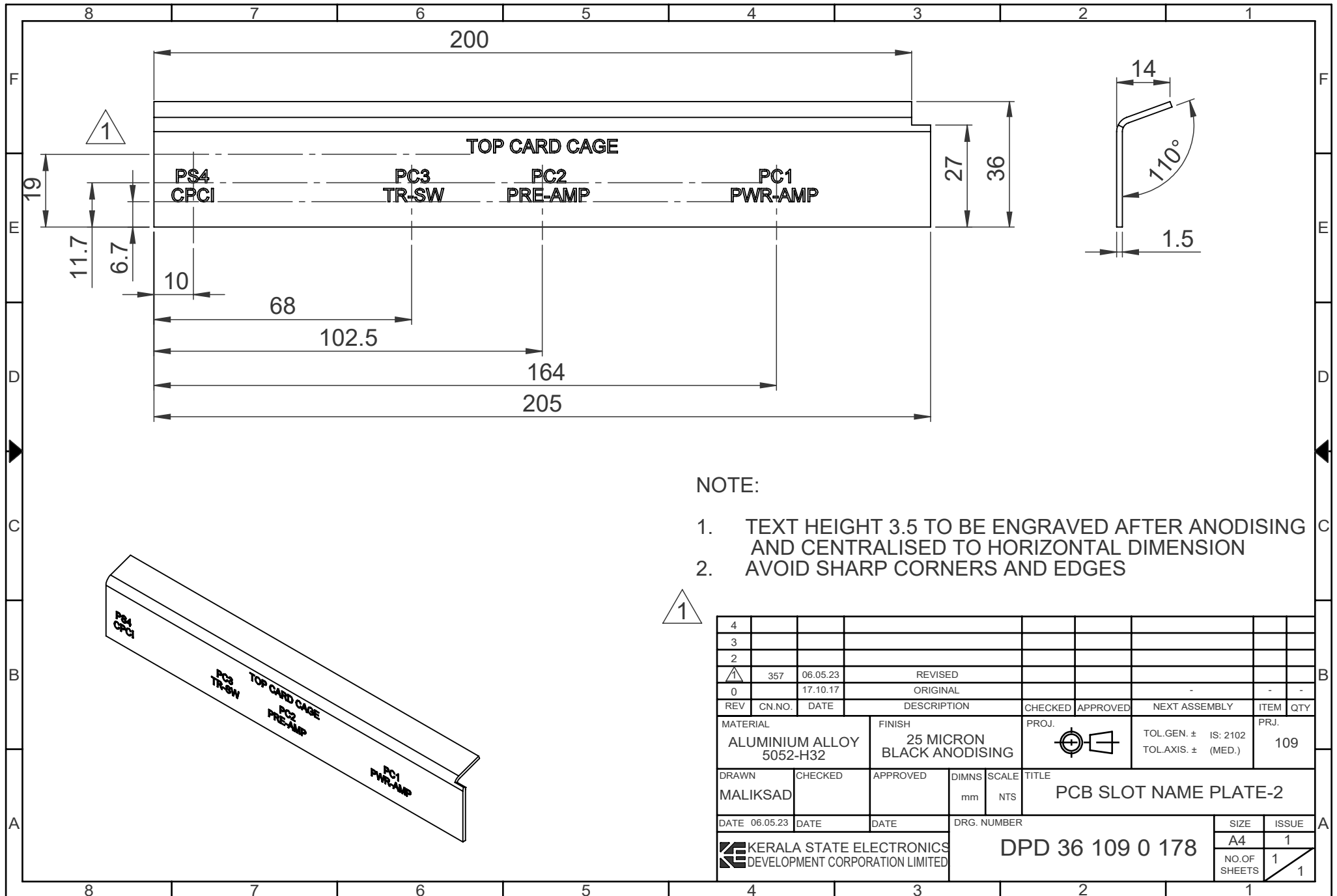
- NOTE:**
- 3.5mm TEXT TO BE ENGRAVED AND FILLED WITH BLACK COLOUR
 - ON REAR SIDE ENGRAVING, TEXT TO BE CENTRALISED TO CUTOUT

4											
3											
2											
△		22.08.19		REVISED							
0		15.11.16		ORIGINAL				DSA 36 109 0 019	04	01	
REV	CN.NO.	DATE		DESCRIPTION	CHECKED	APPROVED		NEXT ASSEMBLY	ITEM	QTY	
MATERIAL				FINISH	PROJ.		TOL.GEN. ± IS:2102		PRJ.		
ALUMINIUM HE-30				YELLOW CC COATING			TOL.AXIS. ± (MED)		109		
DRAWN	CHECKED	APPROVED	DIMNS	SCALE	TITLE						
MALIKSAD			mm	NTS	PATCH PLATE-2						
DATE	22.08.19	DATE	DATE	DRG. NUMBER		SIZE		ISSUE			
KERALA STATE ELECTRONICS DEVELOPMENT CORPORATION LIMITED.				DPD 36 109 0 042				A3		1	
								NO.OF SHEETS		2	
										2	



NOTE: AVOID SHARP CORNERS AND EDGES

4																			
3																			
2																			
1																			
0		17.10.17		ORIGINAL															
REV	CN.NO.	DATE	DESCRIPTION			CHECKED	APPROVED	NEXT ASSEMBLY	ITEM	QTY									
			MATERIAL	FINISH	PROJ.			TOL.GEN. ± IS: 2102	PRJ.										
			ALUMINIUM HE30	YELLOW C.C COATING				TOL.AXIS. ± (MED.)	109										
DRAWN	CHECKED	APPROVED	DIMNS	SCALE	TITLE														
MANJULAL			mm	NTS	PATCH PLATE- HINGES														
DATE	DATE	DATE	DRG. NUMBER			SIZE	ISSUE												
17.10.17			DPD 36 109 0 038			A4	1												
KERALA STATE ELECTRONICS DEVELOPMENT CORPORATION LIMITED						NO.OF SHEETS													
						1	1												



NOTE:

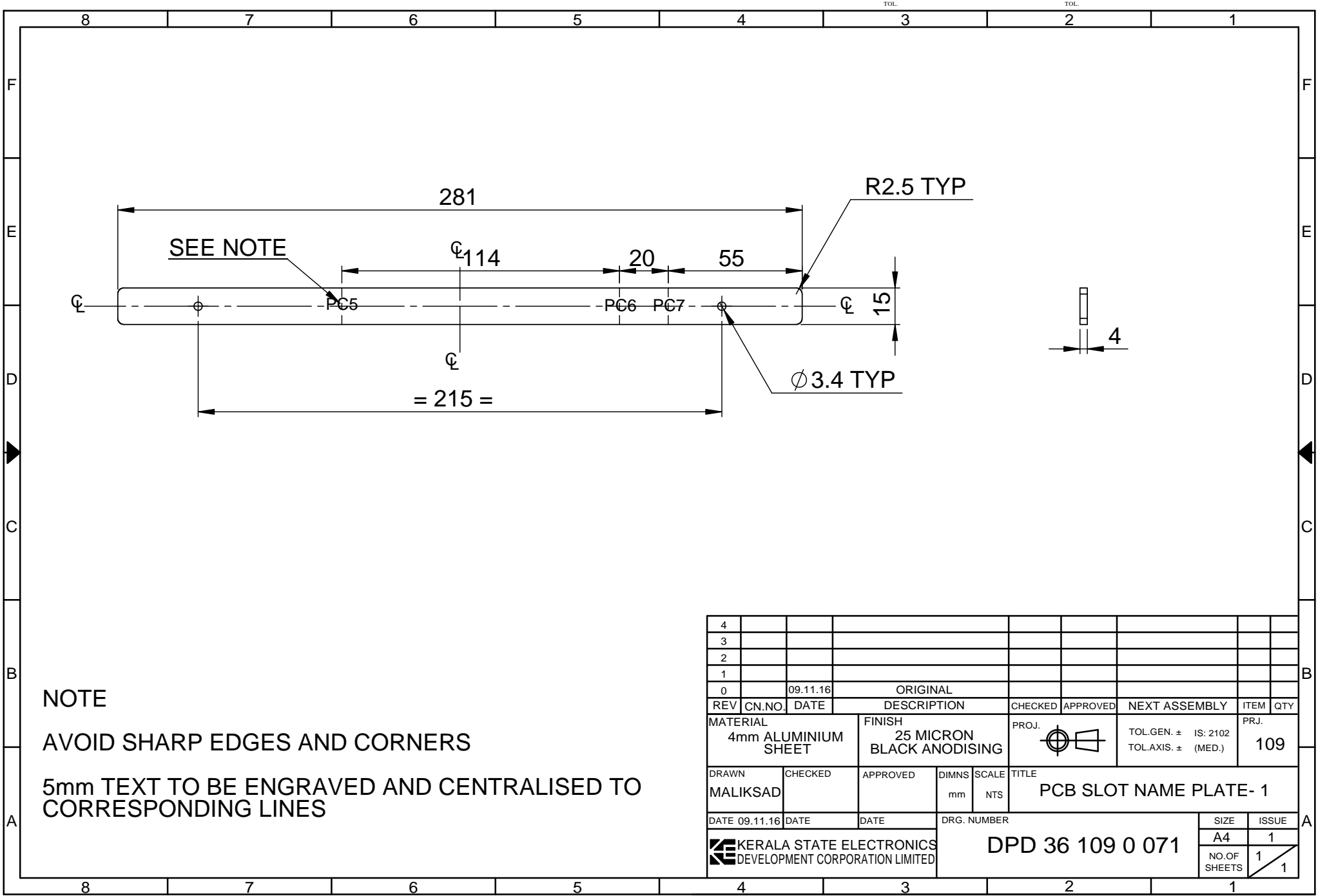
1. TEXT HEIGHT 3.5 TO BE ENGRAVED AFTER ANODISING AND CENTRALISED TO HORIZONTAL DIMENSION
2. AVOID SHARP CORNERS AND EDGES



4										
3										
2										
1	357	06.05.23		REVISED						
0		17.10.17		ORIGINAL						
REV	CN.NO.	DATE		DESCRIPTION	CHECKED	APPROVED	NEXT ASSEMBLY	ITEM	QTY	
MATERIAL				ALUMINIUM ALLOY 5052-H32	FINISH		25 MICRON BLACK ANODISING	PROJ.		TOL.GEN. ± IS: 2102 TOL.AXIS. ± (MED.)
DRAWN				MALIKSAD	CHECKED			APPROVED		
DATE				06.05.23	DATE			DRG. NUMBER		DPD 36 109 0 178
KERALA STATE ELECTRONICS DEVELOPMENT CORPORATION LIMITED				SIZE		A4	ISSUE		1	
				NO.OF SHEETS		1			1	

RESTRICTED

RESTRICTED



NOTE

AVOID SHARP EDGES AND CORNERS

5mm TEXT TO BE ENGRAVED AND CENTRALISED TO CORRESPONDING LINES

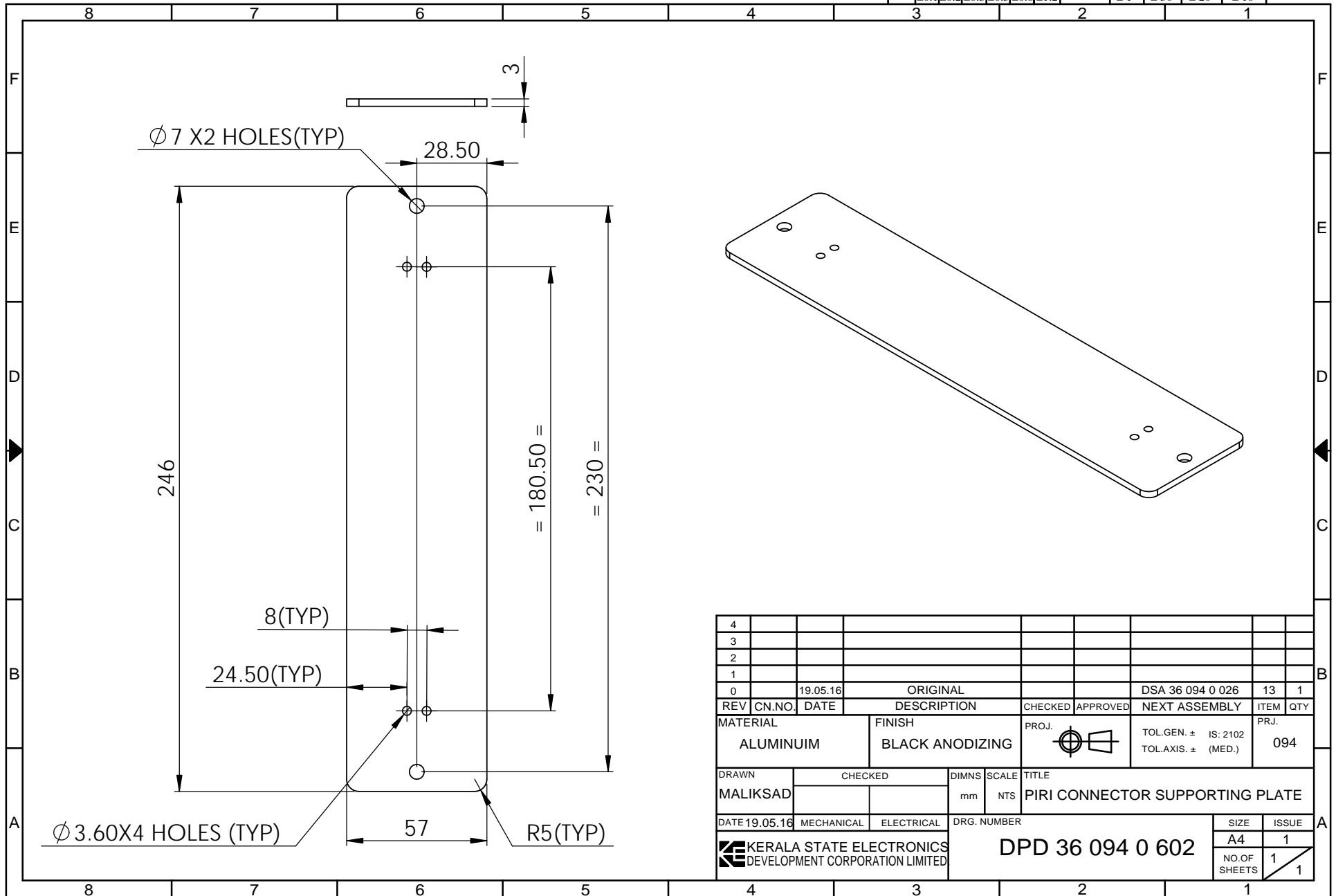
4										
3										
2										
1										
0		09.11.16		ORIGINAL						
REV	CN.NO.	DATE	DESCRIPTION		CHECKED	APPROVED	NEXT ASSEMBLY	ITEM	QTY	
			MATERIAL	FINISH	PROJ.		TOL.GEN. ± IS: 2102	PRJ.		
			4mm ALUMINIUM SHEET	25 MICRON BLACK ANODISING			TOL.AXIS. ± (MED.)	109		
			DRAWN	CHECKED	APPROVED	DIMNS	SCALE	TITLE		
			MALIKSAD			mm	NTS	PCB SLOT NAME PLATE- 1		
			DATE	DATE	DATE	DRG. NUMBER			SIZE	
			09.11.16			DPD 36 109 0 071			ISSUE	
							NO.OF SHEETS		1	
		1								

KERALA STATE ELECTRONICS DEVELOPMENT CORPORATION LIMITED

DPD 36 109 0 071

SIZE	ISSUE
A4	1
NO.OF SHEETS	1

DEVIATION FOR NON - TOLERANCED DIMENSIONS (IS : 2102 - MEDIUM)											
ABOVE	0.5	6	30	120	315	1000	LENGTH IN mm OF SHORTER SIDE OF ANGLE				
UP TO	6	30	120	315	1000	2000	ABOVE & UP TO	0.5 - 6	6 - 30	30 - 120	20 - 400
TOL.	±0.1	±0.2	±0.3	±0.5	±0.8	±1.2	TOL.	± 1°	± 30'	± 20'	± 10'



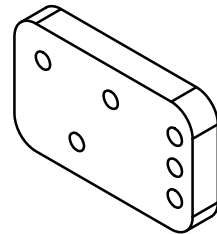
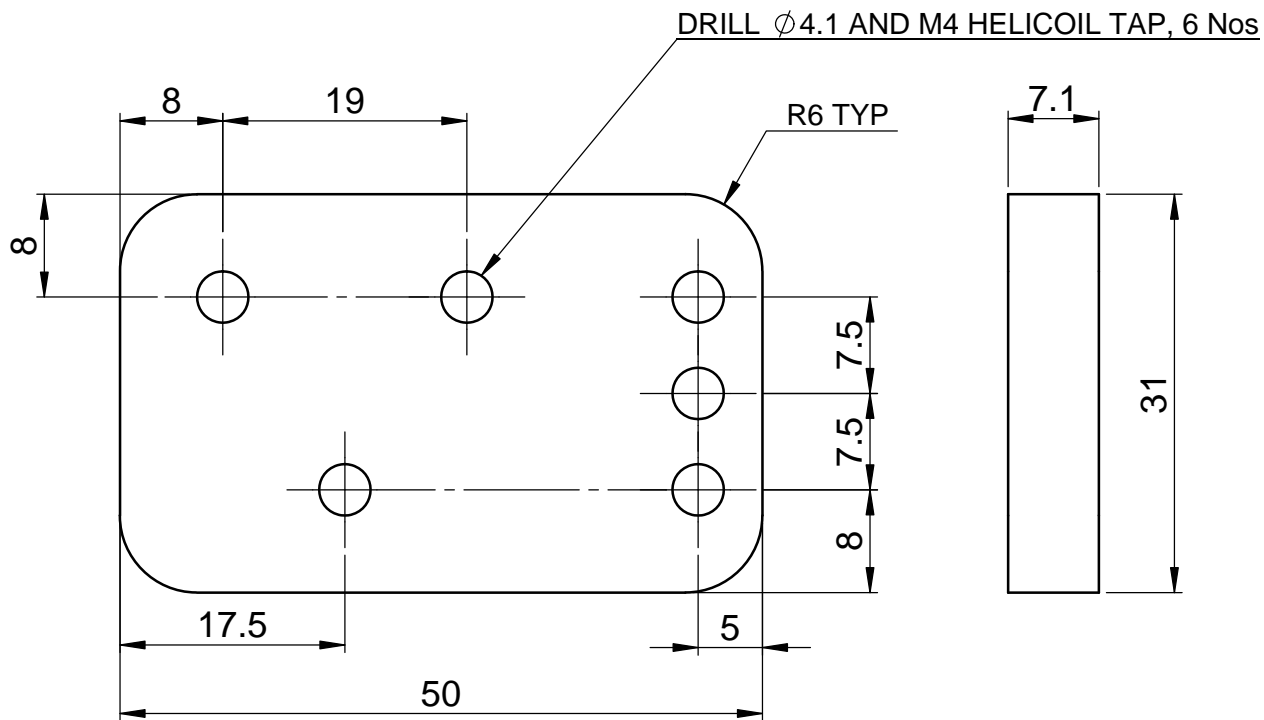
4													
3													
2													
1													
0	19.05.16	ORIGINAL					DSA 36 094 0 026	13	1				
REV	CN.NO.	DATE	DESCRIPTION			CHECKED	APPROVED	NEXT ASSEMBLY	ITEM	QTY			
MATERIAL		FINISH		PROJ.		TOL.GEN. ± IS: 2102		PRJ.					
ALUMINIUM		BLACK ANODIZING				TOL.AXIS. ± (MED.)		094					
DRAWN		CHECKED		DIMNS		SCALE		TITLE					
MALIKSAD				mm		NTS		PIRI CONNECTOR SUPPORTING PLATE					
DATE 19.05.16		MECHANICAL		ELECTRICAL		DRG. NUMBER		SIZE		ISSUE			
								A4		1			
								NO.OF SHEETS		1			
								1					

KERALA STATE ELECTRONICS DEVELOPMENT CORPORATION LIMITED

DPD 36 094 0 602

RESTRICTED

RESTRICTED



NOTE

1. AVOID SHARP CORNERS AND EDGES
2. BURRS MUST BE REMOVED

4									
3									
2									
1									
0	19.08.17		ORIGINAL			DSA 36 109 0 020	9	7	
REV	CN.NO.	DATE	DESCRIPTION	CHECKED	APPROVED	NEXT ASSEMBLY	ITEM	QTY	
MATERIAL			FINISH		PROJ.	TOL.GEN. \pm IS: 2102	PRJ.		
ALUMINIUM HE-30			YELLOW CC COATING			TOL.AXIS. \pm (MED.)	109		
DRAWN	CHECKED	APPROVED	DIMNS	SCALE	TITLE				
MALIKSAD			mm	NTS	PLATE CONNECTING PART 1				
DATE	19.08.17	DATE	DATE	DRG. NUMBER			SIZE	ISSUE	
			KERALA STATE ELECTRONICS DEVELOPMENT CORPORATION LIMITED			DPD 36 109 0 095		A4	1
							NO.OF SHEETS	1	1

RESTRICTED

RESTRICTED

8 7 6 5 4 3 2 1

F F

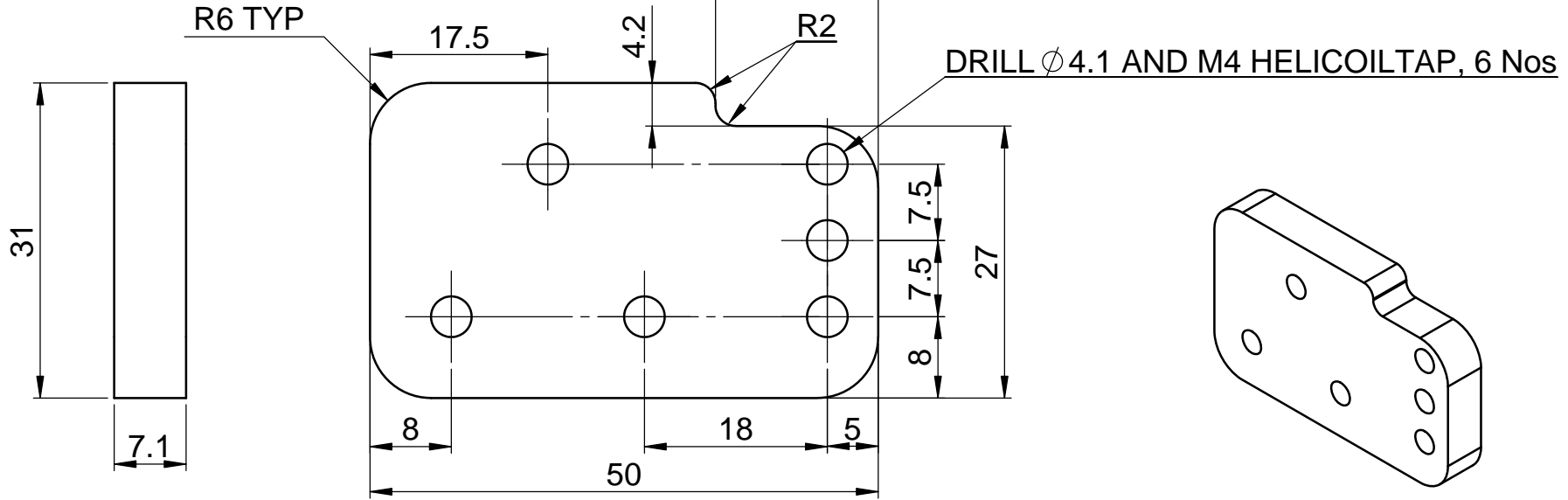
E E

D D

C C

B B

A A



NOTE

1. AVOID SHARP CORNERS AND EDGES
2. BURRS MUST BE REMOVED

4										
3										
2										
1										
0	18.09.17	ORIGINAL				DSA 36 109 0 020	17	1		
REV	CN.NO.	DATE	DESCRIPTION	CHECKED	APPROVED	NEXT ASSEMBLY	ITEM	QTY		
MATERIAL			FINISH		PROJ.	TOL.GEN. ± IS: 2102	PRJ.			
ALUMINIUM HE-30			YELLOW CC COATING			TOL.AXIS. ± (MED.)	109			
DRAWN	CHECKED	APPROVED	DIMNS	SCALE	TITLE					
MALIKSAD			mm	NTS	PLATE CONNECTING PART 2					
DATE	18.09.17	DATE	DATE	DRG. NUMBER			SIZE	ISSUE		
KERALA STATE ELECTRONICS DEVELOPMENT CORPORATION LIMITED				DPD 36 109 0 103			A4	1		
							NO.OF SHEETS	1		
								1		

8 7 6 5 4 3 2 1