

Technical Specifications and Drawings of Individual Toilets
Tender No: KSEDC/KCA/ADMN/005/2022-23

1 FABRICATION (TOILET - GENTS)

Sl.No	Description of work	Nos	Length	Width	Height	Qty
	Ground Floor					
1	Ground Floor Demolish & clearing waste from site old ceramic tiles and plastering work including all toilet					
	TOILET AREA	4	3.96		1.52	24.077
		4	1.27	1.04		5.283
		1	21.73		1.52	33.030
		1	1.05	2.33		2.450
		1	4	1.97		7.880
		1	4.32	1.73		7.470
	TOTAL AREA				say	80.19M2
1.1	Removing 15mm dia(Consealed) dismantled pipes including all leads and lifts					
1.2	Demolished wall area leveling and Plastering inside faces of walls with CM. 1:4, 12mm thick one coat floated hard and Towlled and brushed smooth including scaffolding, curing etc. complete in ground floor (Ultratech/Ramco/Ambuja Cement)					
	toilet wall	4	3.96		1.52	24.077
	toilet floor	1	21.73		1.52	33.030
	TOTAL AREA				say	57.11 M2
1.3	Damage Portion Re-plastering faces of walls with CM. 1:4, 12mm thick one coat floated hard and Towlled and brushed smooth including scaffolding, curing etc. complete in ground floor (Ultratech/Ramco/Ambuja Cement)					
	toilet	6	0.60		0.60	2.160
					say	2.16 M2
1.4	Removing old damaged wash baisin ,closet, urinal,C.P fitting etc. All Labour including all					
	toilet				L.S	
					say	

Sl.No	Description of work	Nos	Length	Width	Height	Qty
1.5	Flooring Providing and laying ceramic glazed floor tiles Kajaria/Jhonson/Somany size 24" x 24" (thickness to be specified by the manufacturer), of 1st quality conforming to IS:15622, of approved make, in colours such as white, ivory, grey laid on 20mm thick CM 1:4 (1 cement: 4 coarse sand), including pointing the joints with white cement and matching pigments etc, complete					
	Total floor area 23.08 M2					
					say	23.08 M2
1.6	Dadoing Providing and laying Ceramic glazed wall tiles Kajaria/Somany/Johnson size 15" x 10" . (thickness to be specified by the manufacturer), of 1st quality conforming to IS:15622, of approved make, in colours such as white, ivory, grey laid on 20mm thick CM 1:4 (1 cement: 4 coarse sand), including pointing the joints with white cement and matching pigments etc, complete					
	toilet wall	4	3.96		1.52	24.080
	fin wall	1	21.73		1.52	33.030
					say	57.11 M2
1.7	Painting with 1 cot Cement Primer and 2 cot Plastic Emulsion (Asian paints/Berger/Indigo) . Painting wall & cealing with approved brand and manufacture of required colour to give even shade:one or more coats on old work					
	cealing					
	"	1	4.33		5.73	24.811
	"	2	4.33		1.90	16.454
	walls (height 1 Mtr.)	2	5.73		1.90	21.774
	"	3	2.78		0.58	4.837
	"	2	1.28		0.58	1.485
	"	2	3.96		0.58	4.594
	"	2	2.69		0.58	3.120
	"					0.000
						77.075
					say	77.075
1.8	Painting Doors with synthetic 2 Enamel paint (Asian paints/Berger/Indigo) of approved brand and manufacture of required colour to an give even shade:one or more coats on old work					
	D1 (1 nos.)	1	2.25	1.00	2.10	4.725
	D2 (4 nos.)	4	2.25	0.80	2.10	18.900
					say	23.625 M2

Sl.No	Description of work	Nos	Length	Width	Height	Qty
1.9	Sanitary & Bathroom fittings in brand CERA/Hindware/Johnson base model fittings including labour charge and all materials cost all.					
	Details of fittings					
	European water closet (base model)	2	nos.			
	Orissa pan (indian closet)	2	no.			
	Wash basin (round)	4	nos.			
	Ordinary Flush tank	4	nos.			
	Seat cover	2	nos.			
	Pillar tap (long body)	4	nos.			
	Wash tap	4	nos.			
	Health faucet	4	nos.			
	Liquid soap dispenser	2	nos.			
	Towel rod	2	nos.			
	Urinal	6	nos.			
	Urinal Push Tap	6	nos.			
	mirror	2	nos.			
	Urinal divider	5	nos.			
	Stop Valve	8	nos.			
	Name Board	1		(All Fittings)		
1.1	Electrical work and base model V-guard or Anchor fittings including labour charge and all materials cost all.					
	Details of fittings					
	Tube light led	2	nos.			
	switch controls	3	nos.			
	Exhaust fan	1	nos.			
1.11	Plumping work (concealed)					
1.12	Wooden Joinery maintenance work 5 doors					
1.13	Supplying and fitting Aluminium ventilator					
	Jindal/Hindalco Brand powder coated ventilator frames with louvers (2.5" x 1.5" section , pinhead glass 3mm / 4 mm.) and shutters and grills and all fittings inclusive of labour charges for fixing and painting all ventilator	2	2		0.6	2.4
						2.40 M2
2 CANTEEN (TOILET GUEST)						
Sl.No	Description of work	Nos	Length	Width	Height	Qty
	Ground Floor					
2	Demolish & clearing waste from site old ceramic tiles and plastering work including all toilet.					
		1	5.83		2.13	12.418
		1	6.05		2.13	12.886
	TOILET AREA	1	0.12		2.13	0.255

Sl.No	Description of work	Nos	Length	Width	Height	Qty
		2	4.08		2.13	17.380
		2	1.31	1.12		2.930
		1	3.5	2.75		9.730
	TOILET AREA				say	55.58M2
2.1	Removing 15mm dia(Consealed) dismantled pipes including all leads and lifts					
2.2	Demolished wall area leveling and Plastering inside faces of walls with CM. 1:4, 12mm thick one coat floated hard and Towlled and brushed smooth including scaffolding, curing etc. complete in ground floor (Ultratech/Ramco/Ambuja Cement)					
	toilet wall	1	5.93		2.13	12.631
	toilet floor	1	6.05		2.13	12.880
		1	0.12		2.13	0.255
		2	4.08		2.13	17.380
					say	43.14 M2
2.3	Damage Portion Re-plastering faces of walls with CM. 1:4, 12mm thick one coat floated hard and Towlled and brushed smooth including scaffolding, curing etc. complete in ground floor.(Ultratech/Ramco/Ambuja cement)					
	toilet	8	0.50		0.50	2.000
					say	2 M2
2.4	Removing old damaged wash basin ,closet, urinal,C.P fitting etc. All Labour including all					
	toilet				L.S	
					say	
2.5	Flooring Providing and laying ceramic glazed floor tiles Kajaria/Somany/Johnson size 24" x 24" (thickness to be specified by the manufacturer), of 1st quality conforming to IS:15622, of approved make, in colours such as white, ivory, grey laid on 20mm thick CM 1:4 (1 cement: 4 coarse sand), including pointing the joints with white cement and matching pigments etc, complete					
	Total floor area 23.08 M2	2	1.31	1.12		2.930
		1	3.5	2.78		9.730
					say	12.660

Sl.No	Description of work	Nos	Length	Width	Height	Qty
2.6	Dadoing Providing and laying Ceramic glazed wall tiles Kajaria/Somany/Johnson size 15" x 10" (thickness to be specified by the manufacturer), of 1st quality conforming to IS:15622, of approved make, in colours such as white, ivory, grey laid on 20mm thick CM 1:4 (1 cement: 4 coarse sand), including pointing the joints with white cement and matching pigments etc, complete					
	toilet wall	2	4.08		2.13	17.380
	fin wall	1	5.93		2.13	12.630
		1	6.05		2.13	12.880
		1	0.12		2.13	0.255
					say	43.14 M2
2.7	Painting with 1 cot Cement Primer and 2 cot Platic Emulsion (Asian paints/Berger/Indigo) . Painting wall & cealing with of approved brand and manufacture of required colour to an give even shade:one or more coats on old work					
	cealing					
	"	1	4.70	2.78		13.060
	"	2	4.70		0.85	7.880
	walls (height 0.85Mtr.)	1	2.78		0.85	2.360
	"	1	2.78		0.25	0.695
					say	23.99M2
2.8	Painting Doors with synthetic 2 Enamel paint (Asian paints/Berger/Indigo) of approved brand and manufacture of required colour to an give even shade:one or more coats on old work					
	D1 (1 nos.)	1	2.25	1.00	2.10	4.725
	D2 (2 nos.)	2	2.25	0.95	2.10	8.970
		1		2.865	0.6	1.719
					say	15.41M2
2.9	Sanitary & Bathroom fittings in brand CERA /Hindware/Johnson base model fittings including labour charge and all meterials cost all.					
	Details of fittings					
	Europen water closet (base model)	1	nos.			
	Orissa pan (indian closet)	1	no.			
	Wash basin (round)	2	nos.			
	Ordinary Flush tank	2	nos.			
	Seat cover	1	nos.			
	Piller tap (long body)	2	nos.			
	Wash tap	2	nos.			
	Health faucet	2	nos.			
	Liquid soap dispencer	1	nos.			
	Towel rod	1	nos.			
	Urinal	3	nos.			
	Urinal Push Tap	3	nos.			

Sl.No	Description of work	Nos	Length	Width	Height	Qty
	mirror	1	nos.			
	Urinal divider	2	nos.			
	Stop Valve	5	nos			
	Name board	1		(All fittings)		
2.1	Electrical work and base model V-guard or Anchor fittings including labour charge and all materials cost all.					
	Details of fittings					
	Tube light led	2	nos.			
	switch controls	3	nos.			
	Exhaust fan	1	nos.			
2.11	Plumping work (concealed)					
2.12	Wooden Joinery maintenance work 3 doors					
2.13	Supplying and fitting Aluminium ventilator					
	Jindal/Hindalco Brand powder coated ventilator frames with louvers (2.5" x 1.5" section , pinhead glass 3mm / 4 mm.) and shutters and grills and all fittings inclusive of labour charges for fixing and painting all ventilator	1	2.865		0.6	1.719
						1.719

3 CANTEEN TOILET (COMMON)

	Description of work	Nos	Length	Width	Height	Qty
	Ground Floor					
3	Demolish & clearing waste from site old ceramic tiles and plastering work including all toilet.					
	TOILET AREA	1	5.83		2.13	12.418
		1	6.05		2.13	12.886
		1	0.12		2.13	0.255
		2	4.08		2.13	17.380
		2	1.31	1.12		2.930
		1	3.5	2.75		9.730
		TOTAL AREA				say
3.1	Removing 15mm dia(Consealed) dismantled pipes including all leads and lifts					
3.2	Demolished wall area leveling and Plastering inside faces of walls with CM. 1:4, 12mm thick one coat floated hard and Towlled and brushed smooth including scaffolding, curing etc. complete in ground floor.					
	toilet wall	1	5.93		2.13	12.631
	toilet floor	1	6.05		2.13	12.880
		1	0.12		2.13	0.255
		2	4.08		2.13	17.380
					say	43.14 M2

Sl.No	Description of work	Nos	Length	Width	Height	Qty
3.3	Damage Portion Re-plastering faces of walls with CM. 1:4, 12mm thick one coat floated hard and Towlled and brushed smooth including scaffolding, curing etc. complete in ground floor.(Ultratech/Ramco/Ambuja cement)					
	toilet	8	0.50		0.50	2.000
					say	2 M2
3.4	Removing old damaged wash basin ,closet, urinal,C.P fitting etc. All Labour including all					
	toilet				L.S	
3.5	Flooring Providing and laying ceramic glazed floor tiles Kajaria/somany/Johnson size 24" x 24" (thickness to be specified by the manufacturer), of 1st quality conforming to IS:15622, of approved make, in colours such as white, ivory, grey laid on 20mm thick CM 1:4 (1 cement: 4 coarse sand), including pointing the joints with white cement and matching pigments etc, complete					
	Total floor area 23.08 M2	2	1.31	1.12		2.930
		1	3.5	2.78		9.730
					say	12.660
3.6	Dadoing Providing and laying Ceramic glazed wall tiles Kajaria/Somany/Johnson size 15" x 10" Rs.38/ Sq.Ft. (thickness to be specified by the manufacturer), of 1st quality conforming to IS:15622, of approved make, in colours such as white, ivory, grey laid on 20mm thick CM 1:4 (1 cement: 4 coarse sand), including pointing the joints with white cement and matching pigments etc. complete					
	toilet wall	2	4.08		2.13	17.380
	fin wall	1	5.93		2.13	12.630
		1	6.05		2.13	12.880
		1	0.12		2.13	0.255
					say	43.14 M2
3.7	Painting with 1 cot Cement Primer and 2 cot Platic Emulsion (Asian paints/Berger/Indigo) . Painting wall & cealing with of approved brand and manufacture of required colour to an give even shade:one or more coats on old work					
	cealing					
	"	1	4.70	2.78		13.060
	"	2	4.70		0.85	7.880
	walls (height 0.85Mtr.)	1	2.78		0.85	2.360
	"	1	2.78		0.25	0.695

Sl.No	Description of work	Nos	Length	Width	Height	Qty
					say	23.99M2
3.8	Painting Doors with synthetic 2 Enamel paint (Asian paints/Berger/Indigo) of approved brand and manufacture of required colour to an give even shade:one or more coats on old work					
	D1 (1 nos.)	1	2.25	1.00	2.10	4.725
	D2 (2 nos.)	2	2.25	0.95	2.10	8.970
		1		2.865	0.6	1.719
					say	15.41M2
3.9	Sanitary & Bathroom fittings in brand CERA/ Hindware/Johnson base model fittings including labour charge and all materials cost all.					
	Details of fittings					
	Europen water closet (base model)	1	nos.			
	Orissa pan (indian closet)	1	no.			
	Wash basin (round)	2	nos.			
	Ordinary Flush tank	2	nos.			
	Seat cover	1	nos.			
	Piller tap (long body)	2	nos.			
	Wash tap	2	nos.			
	Health faucet	2	nos.			
	Liquid soap dispencer	1	nos.			
	Towel rod	1	nos.			
	Urinal	3	nos.			
	Urinal Push Tap	3	nos.			
	mirror	1	nos.			
	Urinal divider	2	nos.			
	Stop Valve	5	nos.			
	Name board	1		(All fittings)		
3.1	Electrical work and base model V-guard or Anchor fittings including labour charge and all materials cost all.					
	Details of fittings					
	Tube light led	2	nos.			
	switch controls	3	nos.			
	Exhaust fan	1	nos.			
3.11	Plumping work (concealed)					
3.12	Wooden Joinery maintainance work 3 doors					
3.13	Supplying and fitting Aluminium ventilator					
	Jindal/Hindalco Brand powder coated ventilator frames with louvers (2.5" x 1.5" section , pinhead glass 3mm / 4 mm.) and shutters and grills and all fittings inclusive of labour charges for fixing and painting all ventilator	1	2.865		0.6	1.719
						1.719M2
4 SECOND FLOOR (TOILET - GENTS)						
Sl no	Description of work	Nos	Length	Width	Height	Qty

Sl.No	Description of work	Nos	Length	Width	Height	Qty
	Ground Floor					
4	Demolish & clearing waste from site old ceramic tiles and plastering work including all toilet.					
	TOILET AREA	1	30.00		2.00	60.000
		1	2.00		2.00	4.000
						64.000
	TOTAL AREA				say	64.00 M2
4.1	Removing 15mm dia(Consealed) dismantled pipes including all leads and lifts					
4.2	Demolished wall area leveling and Plastering inside faces of walls with CM. 1:4, 12mm thick one coat floated hard and Towlled and brushed smooth including scaffolding, curing etc. complete in ground floor.(Ultratech/Ramco/Ambuja cement)					
	toilet wall	1	30.00		2.00	60.000
	toilet floor	1	2.00		2.00	4.000
						64.000
					say	64.00 M2
4.3	Damage Portion Re-plastering faces of walls with CM. 1:4, 12mm thick one coat floated hard and Towlled and brushed smooth including scaffolding, curing etc. complete in ground floor.(Ultratech/Ramco/Ambuja cement)					
	toilet	1	3.00		0.75	2.250
						2.250
					say	2.25 M2
4.4	Removing old damaged wash basin ,closet, urinal,C.P fitting etc. All Labour including all					
	toilet				L.S	
					say	
4.5	Flooring Providing and laying ceramic glazed floor tiles kajaria/Somany/Johnson brand of size 24" x 24" (thickness to be specified by the manufacturer), of 1st quality conforming to IS:15622, of approved make, in colours such as white, ivory, grey laid on 20mm thick CM 1:4 (1 cement: 4 coarse sand), including pointing the joints with white cement and matching pigments etc. complete					
	Total floor area 20 M2					20.000
						20.000
					say	20 M2

Sl.No	Description of work	Nos	Length	Width	Height	Qty
4.6	Dadoing Providing and laying Ceramic glazed wall tiles kajaria/Somany/Johnson brand of size 15" x 10" Rs.38/ Sq.Ft. (thickness to be specified by the manufacturer), of 1st quality conforming to IS:15622, of approved make, in colours such as white, ivory, grey laid on 20mm thick CM 1:4 (1 cement: 4 coarse sand), including pointing the joints with white cement and matching pigments etc, complete					
	toilet wall	1	30.00		2.00	60.000
	fin wall	4	0.70		1.10	3.080
						63.080
					say	63.08 M2
4.7	Painting with 1 cot Cement Primer and 2 cot Platic Emulsion (Asian paints/Berger/Indigo) . Painting wall & cealing with of approved brand and manufacture of required colour to an give even shade:one or more coats on old work					
	cealing					
	"	2	1.62		5.03	16.297
	"	2	3.08		3.54	21.806
	walls (height 1 Mtr.)	2	1.62		1.00	3.240
	"	2	3.66		1.00	7.320
	"	1	1.44		1.00	1.440
	"	2	1.52		1.00	3.040
	"	1	1.22		1.00	1.220
	"	4	1.10		1.00	4.400
						58.764
					say	58.76 M2
4.8	Painting Doors with synthetic 2 Enamel paint (Asian paints/Berger/Indigo) of approved brand and manufacture of required colour to an give even shade:one or more coats on old work					
	D1 (1 nos.)	2	0.93		2.00	3.720
	D2 (4 nos.)	8	0.80		2.00	12.800
						16.520
					say	16.52 M2
4.9	Sanitary & Bathroom fittings in brand CERA/Hindware/Johnson base model fittings including labour charge and all meterials cost all.					
	Details of fittings					
	Euopen water closet (base model)	2	nos.			
	Orissa pan (indian closet)	1	no.			
	Wash basin (round)	3	nos.			
	Ordinary Flush tank	3	nos.			
	Seat cover	2	nos.			
	Piller tap (long body)	3	nos.			
	Wash tap	3	nos.			
	Health faucet	3	nos.			
	Liquid soap dispencer	2	nos.			

Sl.No	Description of work	Nos	Length	Width	Height	Qty
	Towel rod	2	nos.			
	Urinal	6	nos.			
	Urinal Spreader	6	nos.			
	mirror	3	nos.			
	Urinal divider	5	nos.			
	Urinal pipe covering	6	nos.			
	Name Board	1	nos.	(All Fittings)		
4.1	Electrical work and base model V-guard or Anchor fittings including labour charge and all materials cost all.					
	Details of fittings					
	Tube light led	3	nos.			
	switch controls	3	nos.			
	Exhaust fan	1	nos.			
4.11	Plumping work (concealed)					
4.12	Wooden Joinery maintenance work 5 doors					
4.13	Supplying and fitting Aluminium ventilator					
	Jindal/Hindalco Brand powder coated ventilator frames with louvers (2.5" x 1.5" section , pinhead glass 3mm / 4 mm.) and shutters and grills and all fittings inclusive of labour charges for fixing and painting all ventilator	1	2.865		0.6	1.719
						1.719M2

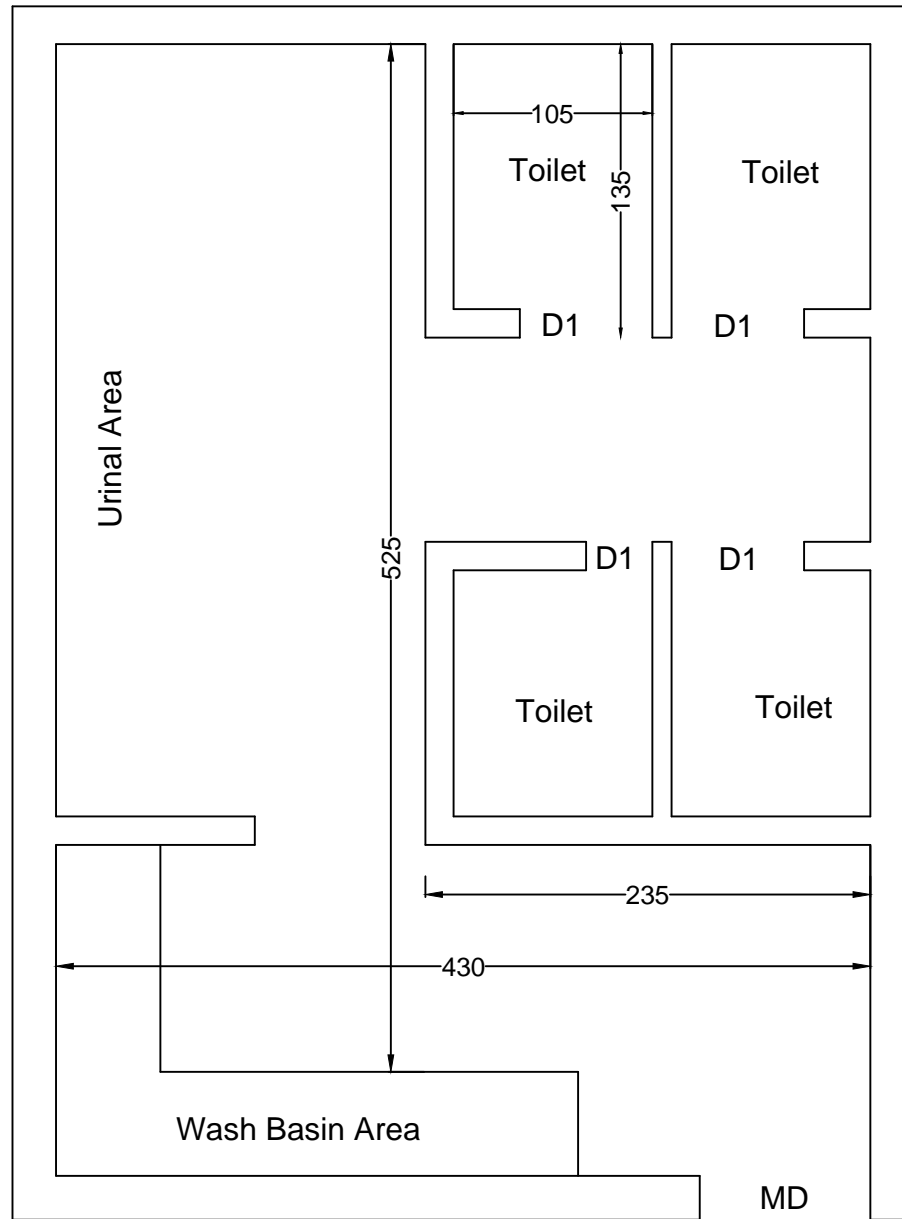
5 SECOND FLOOR (TOILET - LADIES)

Sl No	Description of work	Nos	Length	Width	Height	Qty
	First Floor					
5	Demolish & clearing waste from site old ceramic tiles and plastering work including all					
	toilet wall	1	14.00		2.00	28.000
	toilet floor	1	1.50		1.50	2.250
						30.250
	TOTAL AREA				say	30.250 M2
5.1	Removing 15mm dia(Consealed) dismantled pipes including all leads and lifts					
5.2	Demolished wall area leveling and Plastering inside faces of walls with CM. 1:4, 12mm thick one coat floated hard and Towlled and brushed smooth including scaffolding, curing etc. complete in ground floor.(Ultratech/Ramco/Ambuja cement)					
	toilet wall	1	14.00		2.00	28.000
	toilet floor(Area- 8m2)					8.000
						36.000
					say	36.00 M2

Sl.No	Description of work	Nos	Length	Width	Height	Qty
5.3	Damage Portion Re-plastering faces of walls with CM. 1:4, 12mm thick one coat floated hard and Towlled and brushed smooth including scaffolding, curing etc. complete in ground floor.					
	toilet	1	2.00		0.75	1.500
						1.500
					say	1.5 M2
5.4	Removing old damaged wash basin ,closet, urinal,C.P fitting etc. All Labour including all toilet					
5.5	Flooring Providing and laying ceramic glazed floor tiles kajaria/Somany/Johnson brand of size 24" x 24" .(thickness to be specified by the manufacturer), of 1st quality conforming to IS:15622, of approved make, in colours such as white, ivory, grey laid on 20mm thick CM 1:4 (1 cement: 4 coarse sand), including pointing the joints with white cement and matching pigments etc complete					
	Total floor area 8 M2					8.000
						8.000
					say	8 M2
5.6	Dadoing Providing and laying Ceramic glazed wall tiles kajaria/Somany/Johnson brand of size 15" x 10" (thickness to be specified by the manufacturer), of 1st quality conforming to IS:15622, of approved make, in colours such as white, ivory, grey laid on 20mm thick CM 1:4 (1 cement: 4 coarse sand), including pointing the joints with white cement and matching pigments etc, complete					
	toilet wall	1	14.00		2.00	28.000
	fin wall	3	0.70		1.10	2.310
						30.310
					say	30.31 M2
5.7	Painting with 1 cot Cement Primer and 2 cot Platic Emulsion (Asian paints/Berger/Indigo) . Painting wall & cealing with of approved brand and manufacture of required colour to an give even shade:one or more coats on old work					
	cealing					8.000
	8 m2					8.000
	walls (height 1 Mtr.)	1	13.00		1.00	13.000
						21.000
					say	21 M2

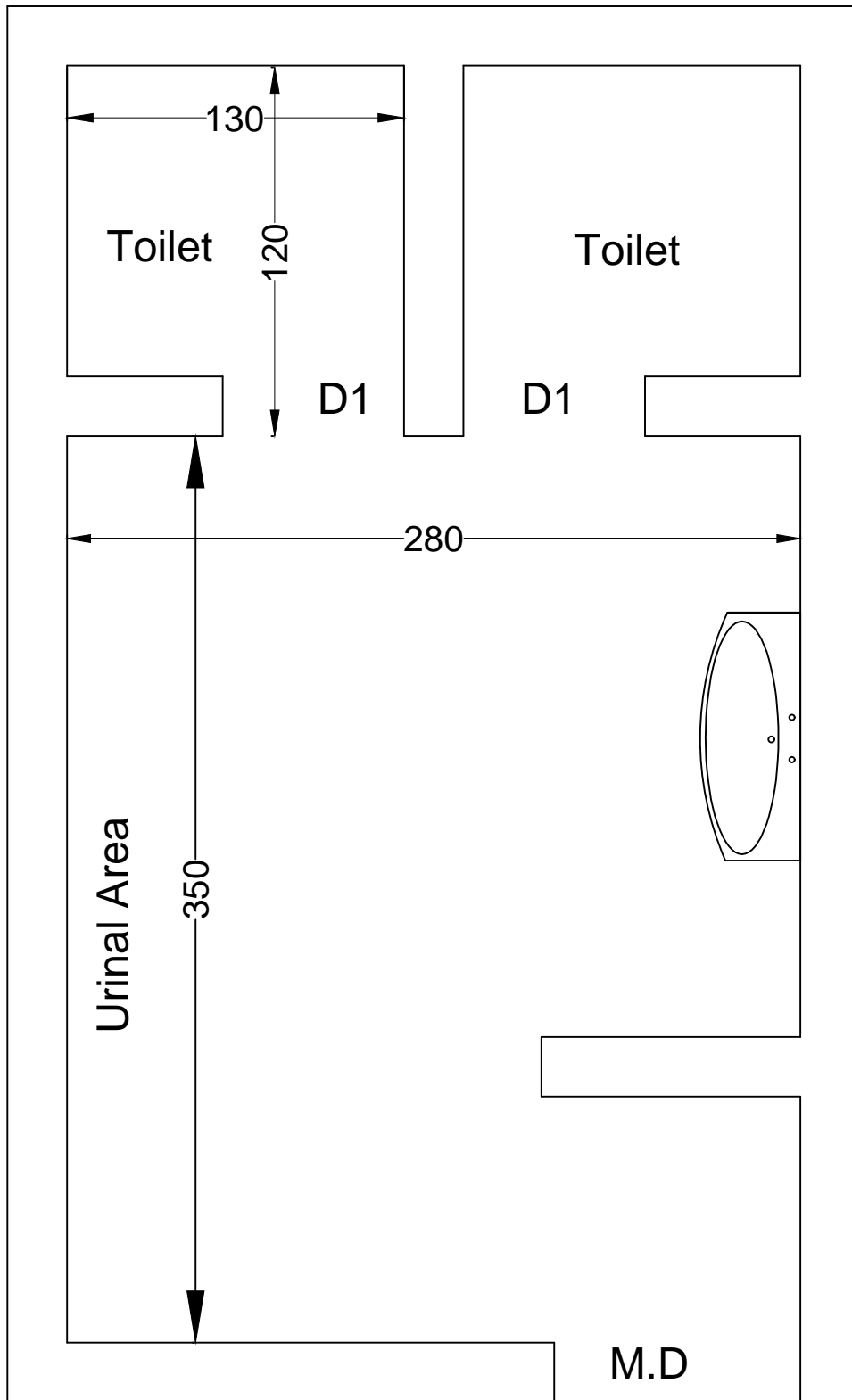
Sl.No	Description of work	Nos	Length	Width	Height	Qty
5.8	Painting Doors with synthetic 2 Enamel paint (Asian paints/Berger/Indigo) of approved brand and manufacture of required colour to an give even shade:one or more coats on old work					
	D1 (1 nos.)	2	0.93		2.00	3.720
	D2 (1 nos.)	2	0.80		2.00	3.200
						6.920
					say	6.92 M2
5.9	Supplying and fitting Aluminium ventilator Jindal/Hindalco Brand powder coated ventilator frames with louvers (2.5" x 1.5" section , pinhead glass 3mm / 4 mm.) and shutters and grills and all fittings inclusive of labour charges for fixing and painting all fittingsetc. complete					
	ventilator	1	2.00		0.60	1.200
						1.200
					say	1.2 M2
5.1	Sanitary & Bathroom fittings in brand CERA/Hindware/Johnson base model fittings including labour charge and all materials cost all.					
	Details of fittings					
	Europen water closet (base model)	1	nos.			
	Wash basin (round)	2	nos.			
	Ordinary Flush tank	1	nos.			
	Seat cover	1	nos.			
	Piller tap (long body)	1	nos.			
	Wash tap	2	nos.			
	Health faucet	1	nos.			
	Soap tray	1	nos.			
	Towel rod	1	nos.			
	mirror	2	nos.			
	Name Board	1	nos.		(All Fittings)	
5.12	Electrical work and base model V-guard or Anchor fittings including labour charge and all materials cost all.					
	Details of fittings					
	Tube light led	2	nos.			
	switch controls	2	nos.			
5.13	Wooden Joinery maintenance work 2 doors					
5.14	Supplying and fitting Aluminium ventilator					
	Jindal/Hindalco Brand powder coated ventilator frames with louvers (2.5" x 1.5" section , pinhead glass 3mm / 4 mm.) and shutters and grills and all fittings inclusive of labour charges for fixing and painting all ventilator	1	2.865		0.6	1.719
						1.719M2

GENTS TOILET (FABRICATION UNIT)



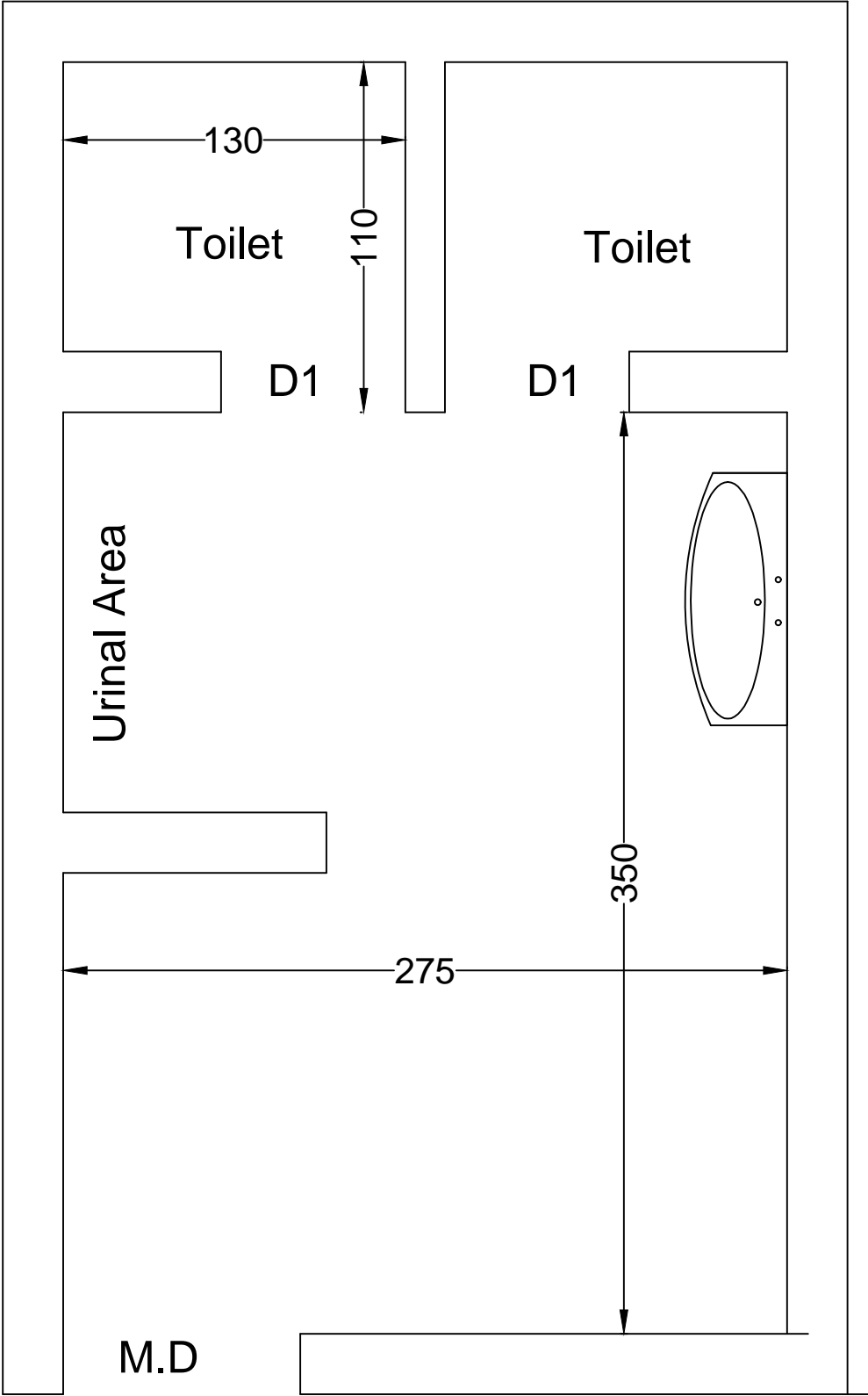
All Dimensions are in cm

TOILET (GUEST ROOM -CANTEEN)



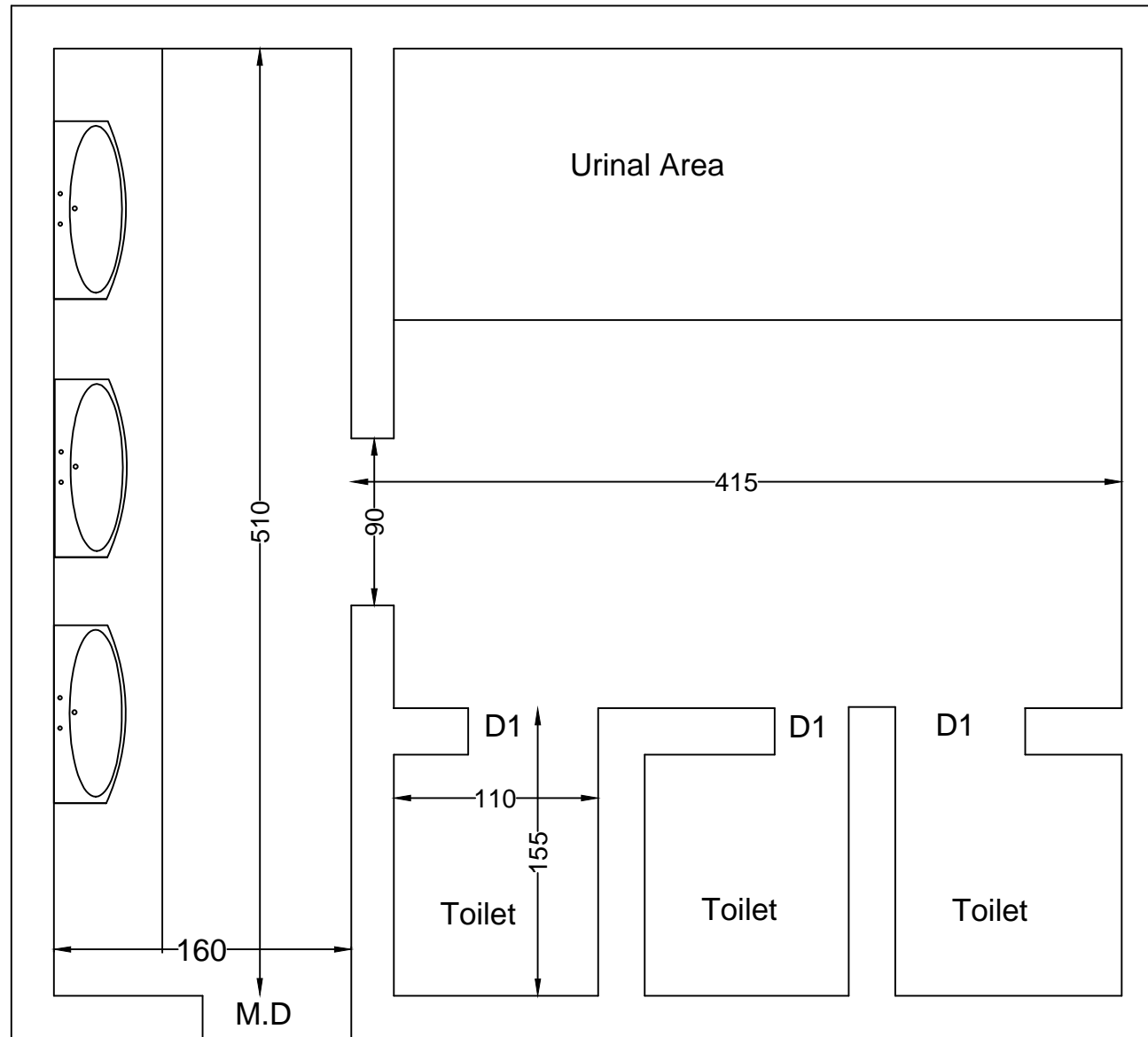
All Dimensions are in cm

TOILET (CANTEEN)



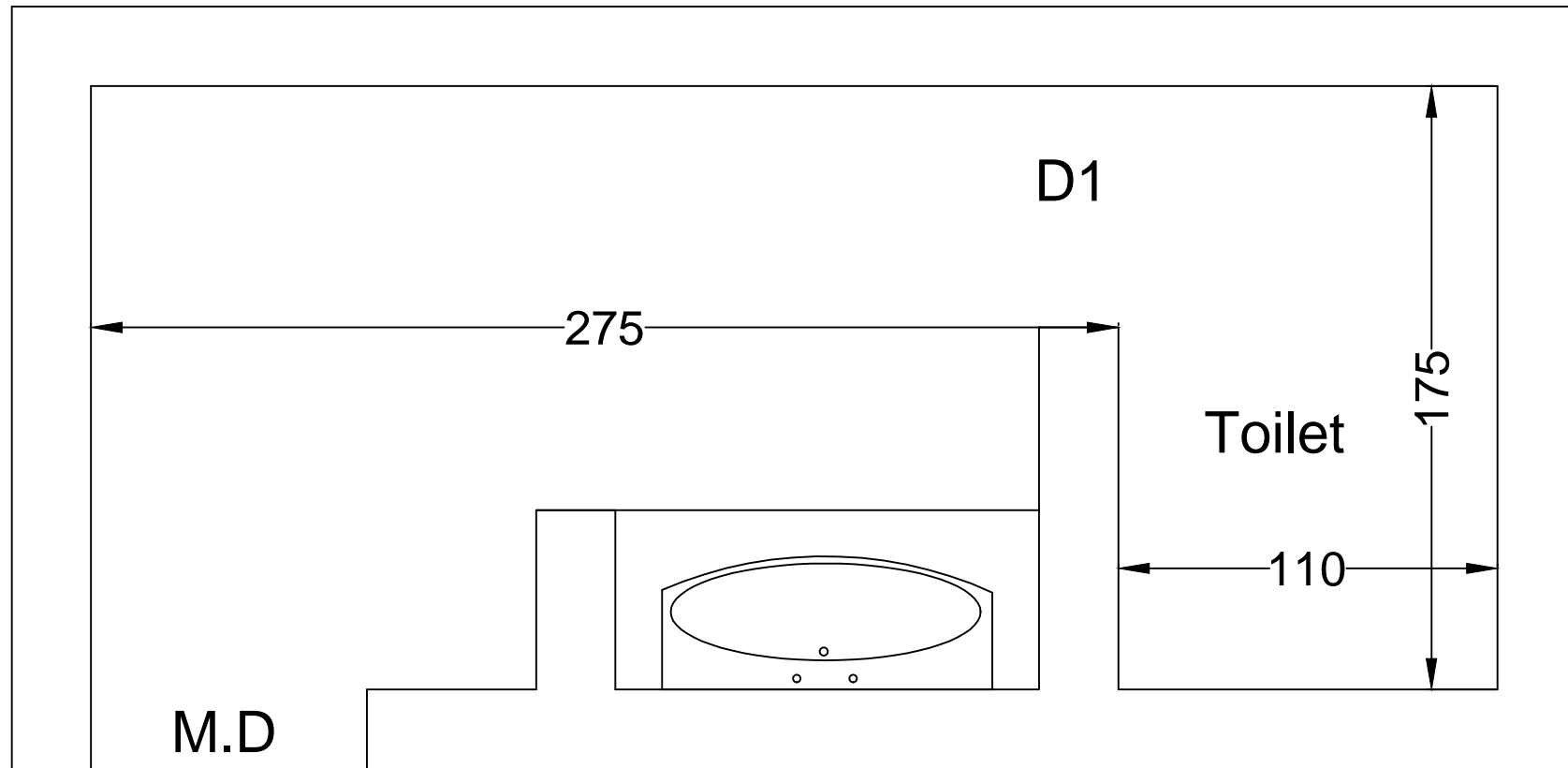
All Dimensions are in cm

GENTS TOILET (ADMN BLOCK SECOND FLOOR)



All Dimensions are in cm

LADIES TOILET (ADMN BLOCK SECOND FLOOR)



All Dimensions are in cm
