

- NOTE:-**
- 1) WOODEN BOX WIDTH-Wx DEPTH-Dx HEIGHT-H (INTERNAL DIMN.)
 - 2) WOODEN PLANK 200 WIDTHx 20 (+0,-3)THICK.FOR TOP & 4 SIDES
 - 3) WOODEN PLANK 200 WIDTHx 25 THICK.FOR BOTTOM SIDE
 - 4) NAILS 75 LENGTH FOR MAKING BOARDS, 100 LENGTH FOR MAKING BOX
 - 5) TIMBER AS PER IS S 247- 1969.
 - 6)TYPE OF WOODS FOR PLANKS :- MANGO TREE (മാവ്) TREATED RUBBER (സംസ്കരിച്ച റബ്ബർ) MACHILUS OR PERSEA(കുളമാവ്) JACKTREE(പ്ലാവ്) PINE(പൈൻ) /ANJILI(ആഞ്ഞിലി) CASHEW TREE(കശുമാവ്) MAST TREE(അണമരം)
 - 7)TYPE WOODS FOR FRAME:- ALL ABOVE EXCEPT TREATED RUBBER
 - 8)TYPE OF WOODS FOR REAPER:- ALL ABOVE EXCEPT TREATED RUBBER
 - 9)TYPE OF WOODS FOR WOODEN BLOCK:- ALL ABOVE EXCEPT TREATED RUBBER
 - 10) TIMBER SHALL BE FREE FROM CENTRE HEARTH (PITH) ATTACK ANY KINDS OF DECAY (ROT)
 - 11) TIMBER SHOULD BE SEASONED AND MOISTURE CONTENT SHOULD BE LESS THAN 18%.
 - 12) PLUGGING OF DEFECT SHALL NOT BE PERMISSIBLE.
 - 13) BOX SHOULD BE ASSEMBLED DURING PACKING.

90 001 0026- 58
 90 001 0062- 72
 90 001 0082-103

DRAWN V.S.N.Kunju	CHECKED K.A.S.	APPROVED K.A.S.				
DATE 17.05.2006	DATE 17.05.2006	DATE 17.05.2006	SI No. 57&58 ADDED	SYAM	09.07.19	
Gen.Tol.			Reaper III, Reaper IV, Reaper V added in Sl. No: 19	SYAM	23.10.18	34
MATERIAL			Re-sized & Added Reapers 3,4,5 except Sl.No.19&50	SYAM	19.12.17	33
SEE NOTE			SI No. 56 ADDED	SYAM	16.02.16	32
			SI No. 54&55 ADDED	SYAM	19.08.15	31
PROJECTION			ZONE	CHANGE	APPRD.	DATE
DIMN. MM			TITLE			
SCALE			PACKING CASE FOR ACTUATORS			
SUPERSEDED BY			DRG.No. 90 001 0026- 58			
REPLACES			90 001 0062-72			
KELTRON CONTROLS			90 001 0082-103			
(A DIVISION OF K.S.E.D.C. LTD.)			SHEET No. 1/4			

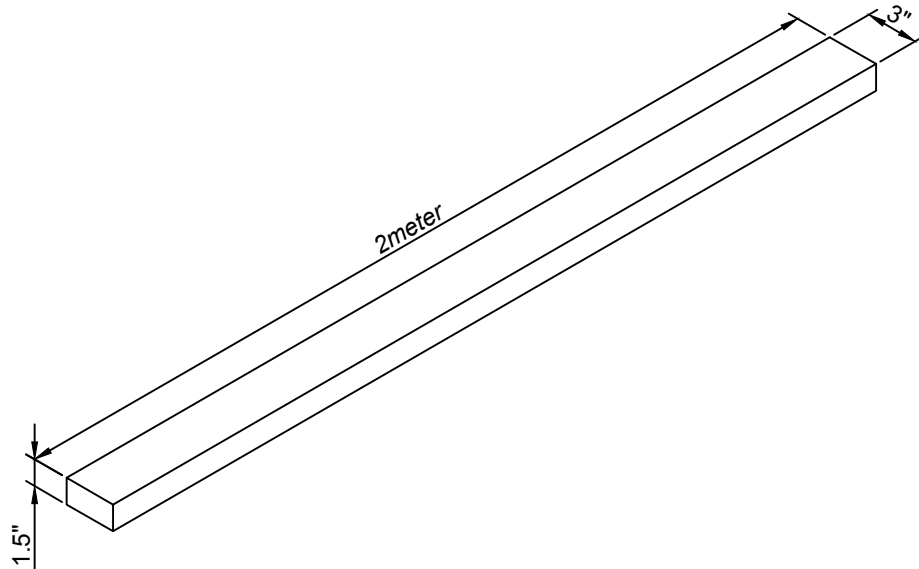
Sl.No.	DRG. No.	W	D	H	REAPER-III	REAPER-IV	REAPER-V	VOL. m ³	VOL. cft.	USED FOR	REMARKS
1	90 001 0026	500	650	800	75X25	75X25	75X25	0.113	3.974	C4X4,A06x08 FLUIDOMAT	
2	90 001 0027	700	850	1500	75X25	75X25	75X25	0.213	7.515	A16x18.5 BHEL	
3	90 001 0028	350	500	550	75X25	75X25	75X25	0.071	2.505	A4X4 & A04x05	
4	90 001 0029	1200	600	300	75X25	75X25	75X25	0.103	3.650	SADC 3Nos & A0405	BOTTOM SUPPORT NOT REQUIRED
5	90 001 0030	750	500	1000	75X25	75X25	75X25	0.133	4.692	C 4X8,6X8,8X8	
6	90 001 0031	750	600	1000	75X25	75X25	75X25	0.145	5.106	C 4X8,6X8,8X8 WITH REAR JB	A8x8 FLUIDOMAT
7	90 001 0032	800	500	1000	75X25	75X25	75X25	0.137	4.845	C6x8,C8X8 (VOITH)	
8	90 001 0033	750	500	1300	75X25	75X25	75X25	0.156	5.498	C 8X16,10X16	
9	90 001 0034	600	700	1300	75X25	75X25	75X25	0.165	5.838	A8X16,10X16,A6X18,8X18	
10	90 001 0035	750	600	1300	75X25	75X25	75X25	0.169	5.954	C 8X16,10X16 WITH REAR JB	
11	90 001 0036	900	900	1850	75X25	75X25	75X25	0.279	9.851	C12X16	
12	90 001 0037	550	500	1000	75X25	75X25	75X25	0.115	4.076	A0814 & A0614-IPH(WITH SMART POS.)	
13	90 001 0038	650	750	1500	75X25	75X25	75X25	0.193	6.829	A14X18.5,C4X18,A12X16,A14x16	
14	90 001 0039	600	700	1000	75X25	75X25	75X25	0.142	5.011	C4x8 VOITH WITH EXPROOF POS.&J.B	
15	90 001 0040	900	1000	2000	75X25	75X25	75X25	0.321	11.335	C 14x16	BOTTOM SUPPORT 3 Nos
16	90 001 0041	1000	1000	2000	75X25	75X25	75X25	0.336	11.863	C 22X14 ,C 20X14	BOTTOM SUPPORT 3 Nos
17	90 001 0042	800	800	1350	75X25	75X25	75X25	0.205	7.226	FOR CIG PROJECT	
18	90 001 0043	1200	600	350	75X25	75X25	75X25	0.122	4.310	SADC WITH CL-2 ,PGI 4841	
19	90 001 0044	430	390	500	75X25	75X25	75X25	0.055	1.936	FOR SPARES	BOTTOM SUPPORT NOT REQUIRED
20	90 001 0045	500	500	950	75X25	75X25	75X25	0.108	3.805	A 6X12(IJT),A4x12 IJT 6287,A3x12 6287 WITH SMART POS.	A6x16 FUJITORKE
21	90 001 0046	500	550	750	75X25	75X25	75X25	0.099	3.508	A 4x8(IJTwith TB)	
22	90 001 0047	400	400	650	75X25	75X25	75X25	0.072	2.537	A 4x4 (FLUDO MAT) & A4x8	
										SHEET No.	2 4

Sl.No.	DRG. No.	W	D	H	REAPER-III	REAPER-IV	REAPER-V	VOL. m ³	VOL. cft.	USED FOR	REMARKS
23	90 001 0048	750	500	1250	75X25	75X25	75X25	0.152	5.363	C 3X12(THERMAX),A10x12 IJT	PGI 6287
24	90 001 0049										
25	90 001 0050	600	600	1300	75X25	75X25	75X25	0.153	5.405	C4X12(THERMAX)	
26	90 001 0051	850	500	1400	75X25	75X25	75X25	0.174	6.131	C 6X12(THERMAX)	
27	90 001 0052	1400	600	500	75X25	75X25	75X25	0.151	5.336	305x720 AIR CYLINDER	
28	90 001 0053	950	650	1550	75X25	75X25	75X25	0.219	7.726	C 8X16(THERMAX)	
29	90 001 0054	700	200	250	75X25	75X25	75X25	0.047	1.674	A 0306(ABB)	
30	90 001 0055	1800	300	300	75X25	75X25	75X25	0.114	4.039	A 0448(ABB),200x1110 AIR CYLINDER	
31	90 001 0056	900	500	1300	75X25	75X25	75X25	0.171	6.023	C 8X16 WITH CL-4 POSNR.	
32	90 001 0057	800	400	350	75X25	75X25	75X25	0.077	2.722	A 3X12(THERMAX)	
33	90 001 0058	700	600	400	75X25	75X25	75X25	0.093	3.289	A 2.5X8,3X8,4X6,4X8(THERMAX),A6x6	
34	90 001 0062	900	500	400	75X25	75X25	75X25	0.097	3.413	A 4X12,6X12(THERMAX),A3x12 WITH RT.SIDE JB	
35	90 001 0063	500	500	1200	75X25	75X25	75X25	0.124	4.389	A 4X18(THERMAX) & IPH	
36	90 001 0064	700	700	400	75X25	75X25	75X25	0.102	3.610	A 4X8(FLAKT WITH J.B)	
37	90 001 0065	900	700	500	75X25	75X25	75X25	0.126	4.438	A 8X16(FLAKT WITH J.B)	
38	90 001 0066	1050	450	450	75X25	75X25	75X25	0.105	3.711	A 8X16(THERMAX)	
39	90 001 0067	1050	550	500	75X25	75X25	75X25	0.120	4.255	A 8X16(THERMAX)WITH SMART POS. & AFR	
40	90 001 0068	900	550	500	75X25	75X25	75X25	0.110	3.887	A 8X12(THERMAX)WITH SMART POS.& AFR	
41	90 001 0069	950	500	400	75X25	75X25	75X25	0.100	3.525	A 8X12(THERMAX)WITH CL.1 POS.	
42	90 001 0070	1100	400	450	75X25	75X25	75X25	0.103	3.627	VAS CYLINDER 10X13	
43	90 001 0071	950	350	250	75X25	75X25	75X25	0.073	2.569	VAS CYLINDER A8X9	
44	90 001 0072	1200	400	300	75X25	75X25	75X25	0.095	3.363	VAS CYLINDER A 10X10	
										SHEET No.	3 4

Sl.No.	DRG. No.	W	D	H	REAPER-III	REAPER-IV	REAPER-V	VOL. m ³	VOL. cft.	USED FOR	REMARKS
45	90 001 0082	810	730	440	75X25	75X25	75X25	0.117	4.116	FOR CIG PROJECT	
46	90 001 0083	340	640	620	75X25	75X25	75X25	0.086	3.042	FOR CIG PROJECT	
47	90 001 0084	360	430	430	75X25	75X25	75X25	0.059	2.083	FOR CIG PROJECT	
48	90 001 0085	1100	1430	2050	75X25	75X25	75X25	0.421	14.859	FOR CIG PROJECT	
49	90 001 0086	350	2000	250	75X25	75X25	75X25	0.157	5.538	FOR CIG PROJECT	
50	90 001 0087	580	100	100	-	-	-	0.0058	0.205	-	THIS IS ONLY A WOODEN BLOCK
51	90 001 0088	600	500	950	75X25	75X25	75X25	0.116	4.106	A 8X12(IJT) WITH SMART POS.	
52	90 001 0089	2000	400	350	75X25	75X25	75X25	0.145	5.123	AIR CYLINDER (250x1310)	
53	90 001 0090	950	500	1300	75X25	75X25	75X25	0.175	6.198	C 8X16 WITH BCH JB	
54	90 001 0091	1100	1000	1200	75X25	75X25	75X25	0.252	8.896	WINCH AUTO	
55	90 001 0092	950	1250	1000	75X25	75X25	75X25	0.245	8.652	WINCH MANUAL	
56	90 001 0093	2220	500	550	75X25	75X25	75X25	0.200	7.072	A 10X52	
57	90 001 0094	700	750	1200	75X25	75X25	75X25	0.174	6.147	C6X8/8x8 WITH Enclosure Assy	
58	90 001 0095	750	850	1500	75X25	75X25	75X25	0.219	7.732	C8x16 WITH Enclosure Assy	
59	90 001 0096										
60	90 001 0097										
61	90 001 0098										
62	90 001 0099										
63	90 001 0100										
64	90 001 0101										
65	90 001 0102										
66	90 001 0103										

90 001 0082 TO 103

USED ON	QTY.

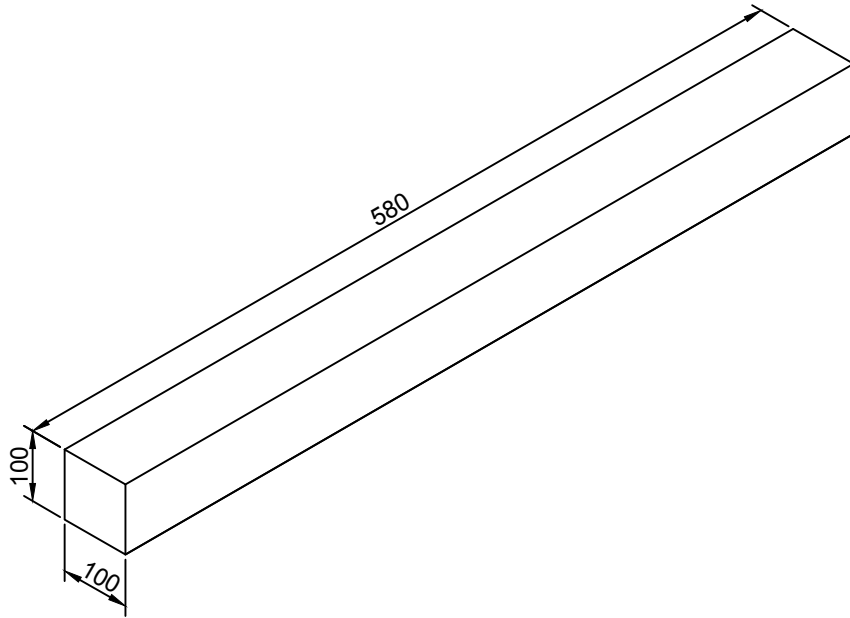


NOTE:-

- 1)TIMBER AS PER IS S247-1969
- 2)TYPE OF WOODS :- MANGO TREE (മാവ്) MACHILUS OR PERSEA(കുളമാവ്) JACKTREE(പ്ലാവ്) PINE(പൈൻ)/ANJILI(ആഞ്ഞിലി)/ CASHEW TREE(കശുമാവ്) MAST TREE(അരണമരം)
- 3)TIMBER SHALL BE FREE FROM CENTRE HEARTH (PITH) ATTACK ANY KINDS OF DECAY (ROT)
- 4) TIMBER SHOULD BE SEASONED AND MOISTURE CONTENT SHOULD BE LESS THAN 18%.
- 5) PLUGGING OF DEFECT SHALL NOT BE PERMISSIBLE.
- 6) Volume of 1 meter Reaper- 0.0029 m³ (0.103CFT)

DRAWN James	CHECKED Syam	APPROVED Syam						6
								5
DATE 29.04.14	DATE 29.04.14	DATE 29.04.14						4
GEN. TOL.								3
MATERIAL See Note		FINISH						2
								1
			ZONE	CHANGE	APPRD.	DATE	REV.No.	
PROJECTION 	DIMN. SCALE NTS	SUPERSEDED BY REPLACES		TITLE WOODEN REAPER				
				DRG.No. 90 001 0081			SHEET No. 1/1	
		KELTRON CONTROLS (A DIVISION OF K.S.E.D.C. LTD.)						

USED ON	QTY.



NOTE:-

- 1)TIMBER AS PER IS S247-1969
- 2)TYPE OF WOODS :- MANGO TREE (മാവ്) MACHILUS OR PERSEA(കുളമാവ്) JACKTREE(പ്ലാവ്) PINE(പൈൻ)/ANJILI(ആഞ്ഞിലി)/ CASHEW TREE(കശുമാവ്) MAST TREE(അരണമരം)
- 3)TIMBER SHALL BE FREE FROM CENTRE HEARTH (PITH) ATTACK ANY KINDS OF DECAY (ROT)
- 4) TIMBER SHOULD BE SEASONED AND MOISTURE CONTENT SHOULD BE LESS THAN 18%.
- 5) PLUGGING OF DEFECT SHALL NOT BE PERMISSIBLE.
- 6) Volume of one piece Wooden Block- 0.0058m³ (0.205 CFT)

DRAWN James	CHECKED Syam	APPROVED Syam						6
								5
DATE 29.04.14	DATE 29.04.14	DATE 29.04.14						4
GEN. TOL.								3
MATERIAL See Note		FINISH						2
								1
			ZONE	CHANGE	APPRD.	DATE	REV.No.	
PROJECTION 	DIMN. mm.	SUPERSEDED BY		TITLE WOODEN BLOCK				
	SCALE NTS	REPLACES		DRG.No. 90 001 0087				
				KELTRON CONTROLS (A DIVISION OF K.S.E.D.C. LTD.)				SHEET No.
							1	1